



## PRODUCT: JK Wrangler Lo-Pro Basket Surround

REV: A | 10-08-2020 | R60227

**READ INSTRUCTIONS IN FULL BEFORE INSTALLATION.**  
**QUESTIONS? CALL 916-760-4575 M-F 7:00 AM – 5:00 PM PST**

The ARS experience includes the ease of installation of our products. We design for most contingencies, but installation may be different based on different Jeep condition, configuration and/or year.

We are continually trying to improve our products and instructions – please help us by providing feedback and pictures if you find any part of the instructions that do not match your Jeep or are not easily understandable.

If you have any difficulties at all, please give us a call. Thank you and enjoy your ARS Products!

**IMPORTANT NOTE: We use Stainless Steel Hardware where possible. Therefore, a tube of Silver Anti-seize is provided and should be used on all bolts—only a small amount is needed.**

---

**WARRANTY INFORMATION:** This article is sold without warranty expressed or implied. No warranty or representation is made as to this products ability to protect the user from injury or death. The user assumes that risk. The effectiveness, warranty and longevity of this equipment are directly related to the way it is INSTALLED, USED and/or MAINTAINED. THE USER ASSUMES ALL RISK. By purchasing this product and opening the packaging, purchasers expressly acknowledge, understand and agree that they take, select and purchase these ARS products from Armored Works, LLC, its affiliates and distributors and agents as is and with all faults. The entire risk as to the quality and performance of these ARS products is with the purchaser. Working on your vehicle can be a dangerous activity. If you are unsure of what you are doing, please leave mechanical or safety critical work to a skilled mechanic. We take no responsibility for the incorrect use and/or installation of ARS products.

## Section 1: Tools & Notes on Installation



**Tools Required:** This list is the recommended tools for ease of installation. Other versions of the same tool can be used. For example, Allen Wrenches instead of Allen Drive Sockets.



Socket & Ratchet Wrench

5/32" Allen Socket  
7/32" Allen Socket



1/2" Socket

**HOW TO USE THIS GUIDE:** The installation guide contains ALL steps for installation. Please read and follow the instructions in order of each page top to bottom and left to right.

**Jeep Model:** Instructions may apply to multiple Jeep models but are labeled separately where appropriate (i.e. TJ vs. LJ).

**Options:** Because of the number of component options we offer, these instructions may contain steps that will not match your configuration. You can skip these steps.

**Images:** Pictures are provided, and parts are labeled throughout the instructions. Each text box contains guidance based on the pictures next to it. The text will refer to alphabetical labels (A, B, etc.) found in the images.

**Installation Notes:** Terms may be used in the body of the instructions that you may not be familiar with, if you have any questions feel free to contact us at the number below, or email [techhelp@metalcloak.com](mailto:techhelp@metalcloak.com)

**QUESTIONS:** Any questions or comments about the instructions? Call us at 916-760-4575 M-F 7:00 AM – 5:00 PM PST.

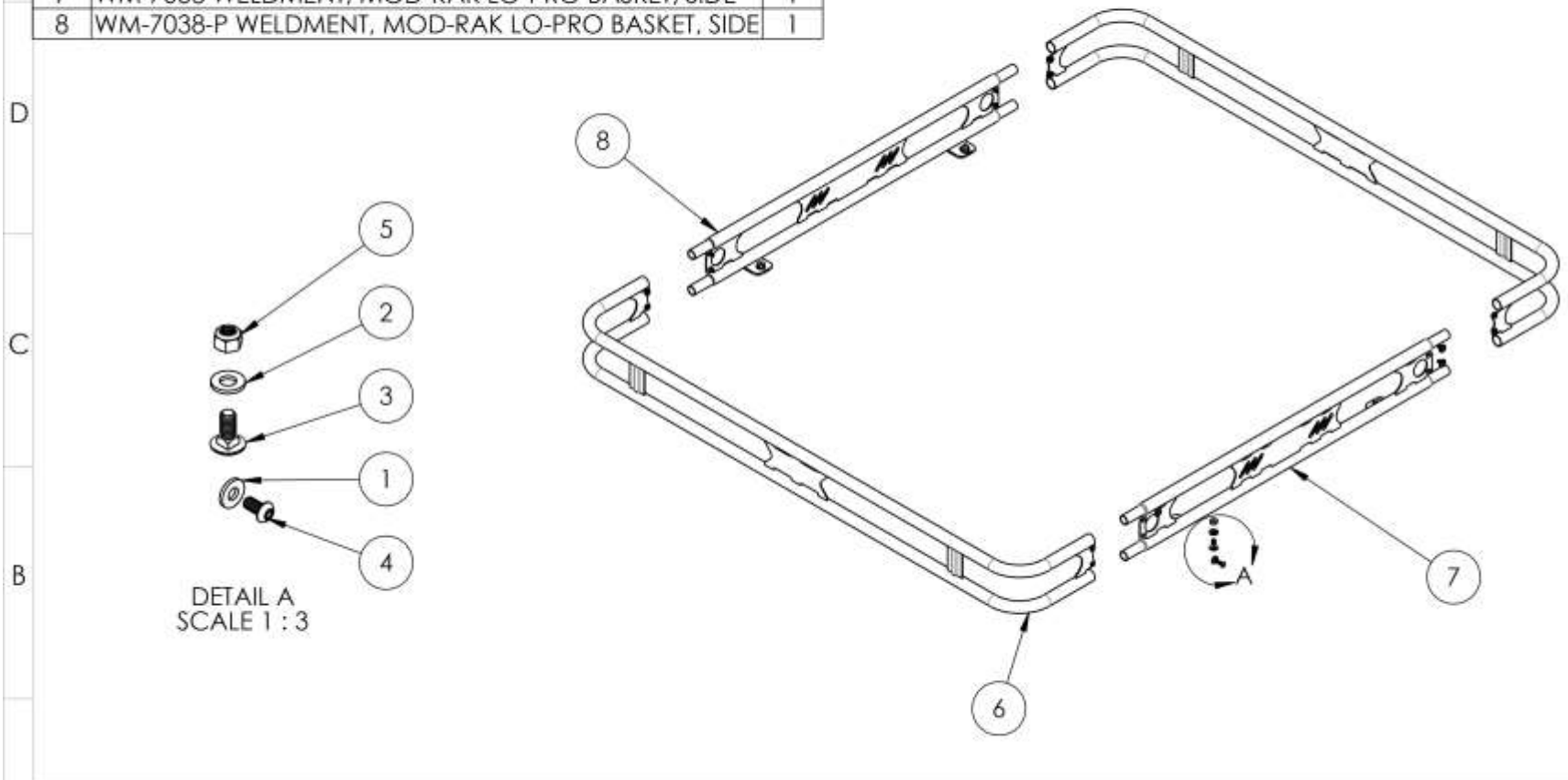
## Section 2: Product Components



SHEET 1 OF 1

DC-0001 REV A

ITEM	PART NUMBER/DESCRIPTION	QTY.
1	90126A029	8
2	90126A030	4
3	90185A581	4
4	91306A375	8
5	95615A160	4
6	WM-7037 WELDMENT, MOD-RAK LO-PRO BASKET, END	2
7	WM-7038 WELDMENT, MOD-RAK LO-PRO BASKET, SIDE	1
8	WM-7038-P WELDMENT, MOD-RAK LO-PRO BASKET, SIDE	1



DETAIL A  
SCALE 1 : 3

THE INFORMATION CONTAINED ON THIS DRAWING IS THE EXCLUSIVE PROPERTY OF ARMORED WORKS, LLC. UNAUTHORIZED REPRODUCTION IS PROHIBITED.  
**DO NOT SCALE DRAWING**

**Metal Cloak**  
A DIVISION OF ARMORED WORKS, LLC

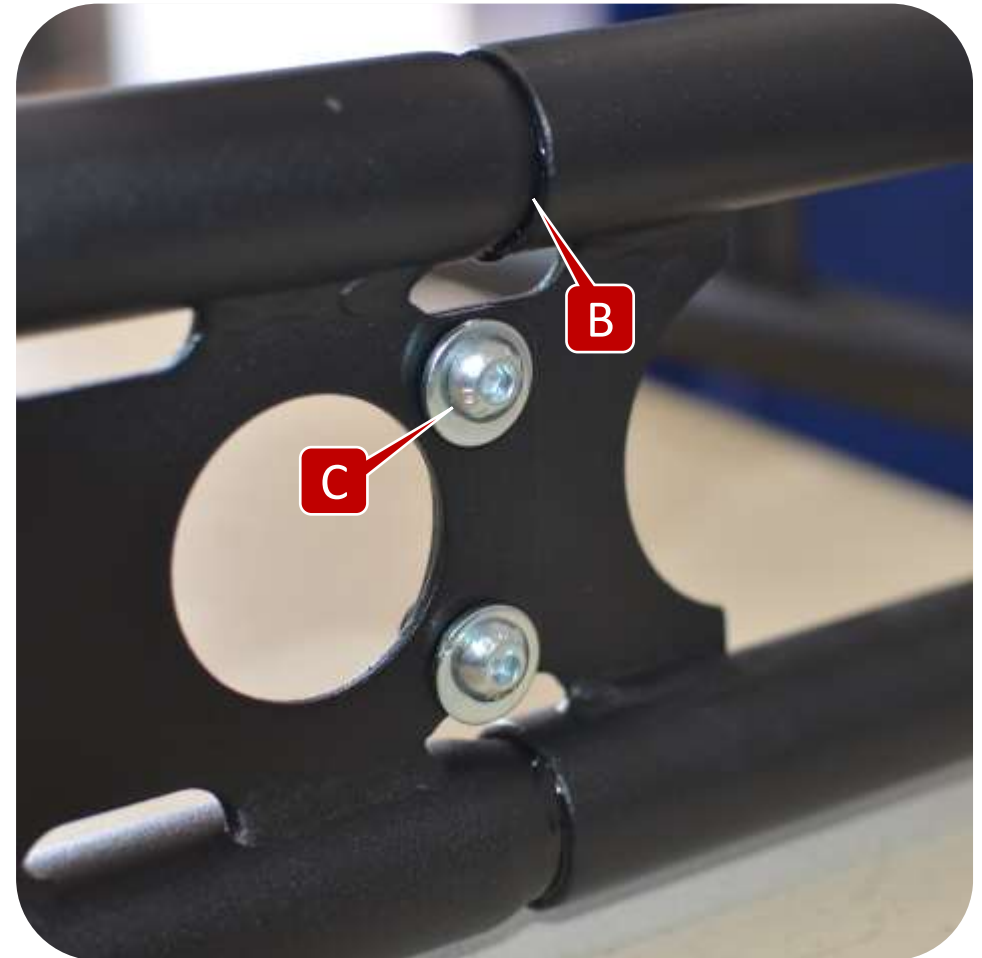
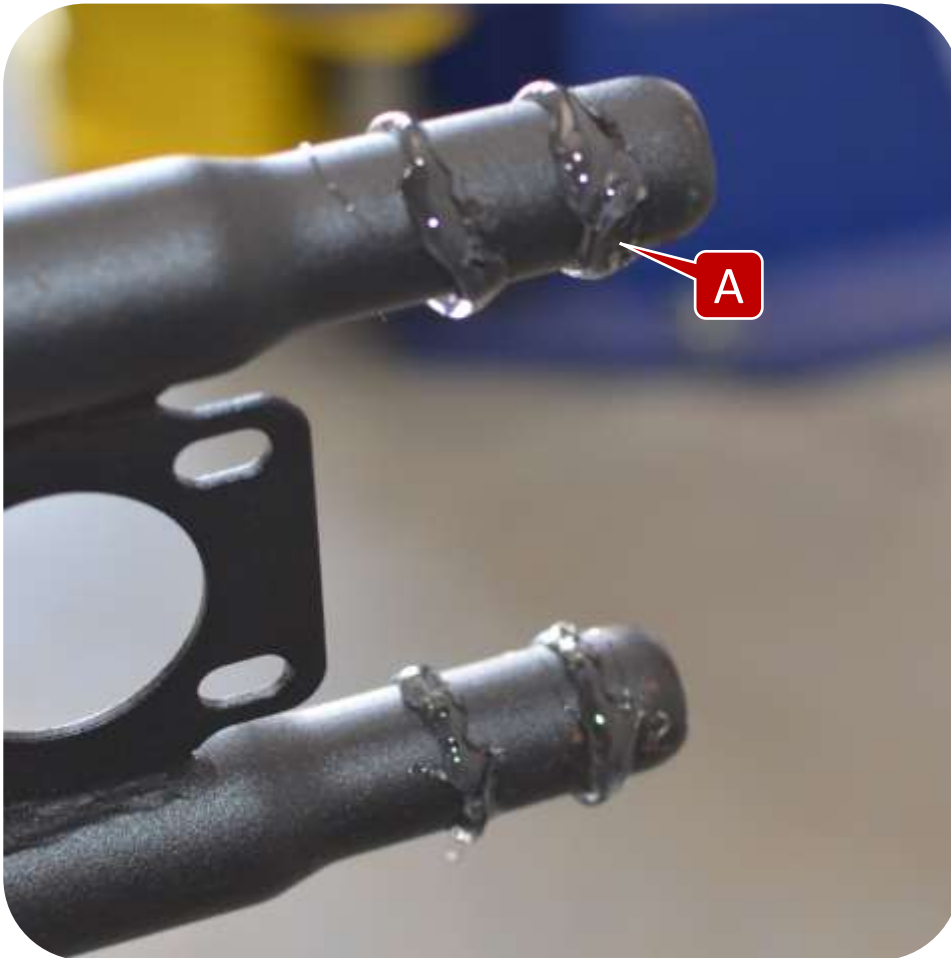
PART NUMBER/DESCRIPTION  
R60227 MOD-RAK LO-PRO BASKET SURROUND

## Section 3: Installation Instructions



### Step 1: Build Lo-Pro Basket Surround

- A. Using the provided sealant apply two lines on each of the tubes of the basket side pieces.
- B. Insert the side pieces into the basket ends remove any excess sealant from the tube.
- C. Using a 5/32" allen wrench install the provided washers and bolts into the basket side tabs.





## Section 3: Installation Instructions



### Step 2: Install Lo-Pro Basket Surround

- D. Insert a carriage bolt in each of the circular holes on the Lo-Pro platform extrusions.
- E. Place the basket surround onto the lo-pro platform and place the carriage bolts into the basket mounting tabs.
- F. Install the provided washers and nuts onto the carriage bolts.
- G. Square up the basket surround to the platform and tighten the nuts using a 1/2" socket and wrench.



**Note:** if the platform is already installed, one carriage bolt on each side of the extrusions might not fit through the circular hole. You will need to use an allen wrench and remove the extrusion cover plate and insert the carriage bolt through the end.