



**PRODUCT: MetalCloak Pro Step**

REV: A | 10-08-2020 | R60265

**READ INSTRUCTIONS IN FULL BEFORE INSTALLATION.  
QUESTIONS? CALL 916-760-4575 M-F 7:00 AM – 5:00 PM PST**

The ARS experience includes the ease of installation of our products. We design for most contingencies, but installation may be different based on different Jeep condition, configuration and/or year.

We are continually trying to improve our products and instructions – please help us by providing feedback and pictures if you find any part of the instructions that do not match your Jeep or are not easily understandable.

If you have any difficulties at all, please give us a call. Thank you and enjoy your ARS Products!

**IMPORTANT NOTE: We use Stainless Steel Hardware where possible. Therefore, a tube of Silver Anti-seize is provided and should be used on all bolts—only a small amount is needed.**

**WARRANTY INFORMATION:** This article is sold without warranty expressed or implied. No warranty or representation is made as to this products ability to protect the user from injury or death. The user assumes that risk. The effectiveness, warranty and longevity of this equipment are directly related to the way it is INSTALLED, USED and/or MAINTAINED. THE USER ASSUMES ALL RISK. By purchasing this product and opening the packaging, purchasers expressly acknowledge, understand and agree that they take, select and purchase these ARS products from Armored Works, LLC, its affiliates and distributors and agents as is and with all faults. The entire risk as to the quality and performance of these ARS products is with the purchaser. Working on your vehicle can be a dangerous activity. If you are unsure of what you are doing, please leave mechanical or safety critical work to a skilled mechanic. We take no responsibility for the incorrect use and/or installation of ARS products.

## Section 1: Tools & Notes on Installation



**Tools Required:** This list is the recommended tools for ease of installation. Other versions of the same tool can be used. For example, Allen Wrenches instead of Allen Drive Sockets.



Socket & Ratchet Wrench

7/32" Allen Socket  
5mm Allen Socket  
3/16" Allen Socket



9/16 Box Wrench  
1/2" Box Wrench

T50 Socket



**HOW TO USE THIS GUIDE:** The installation guide contains ALL steps for installation. Please read and follow the instructions in order of each page top to bottom and left to right.

**Jeep Model:** Instructions may apply to multiple Jeep models but are labeled separately where appropriate (i.e. TJ vs. LJ).

**Options:** Because of the number of component options we offer, these instructions may contain steps that will not match your configuration. You can skip these steps.

**Images:** Pictures are provided, and parts are labeled throughout the instructions. Each text box contains guidance based on the pictures next to it. The text will refer to alphabetical labels (A, B, etc.) found in the images.

**Installation Notes:** Terms may be used in the body of the instructions that you may not be familiar with, if you have any questions feel free to contact us at the number below, or email [techhelp@metalcloak.com](mailto:techhelp@metalcloak.com)

**QUESTIONS:** Any questions or comments about the instructions? Call us at 916-760-4575 M-F 7:00 AM – 5:00 PM PST.

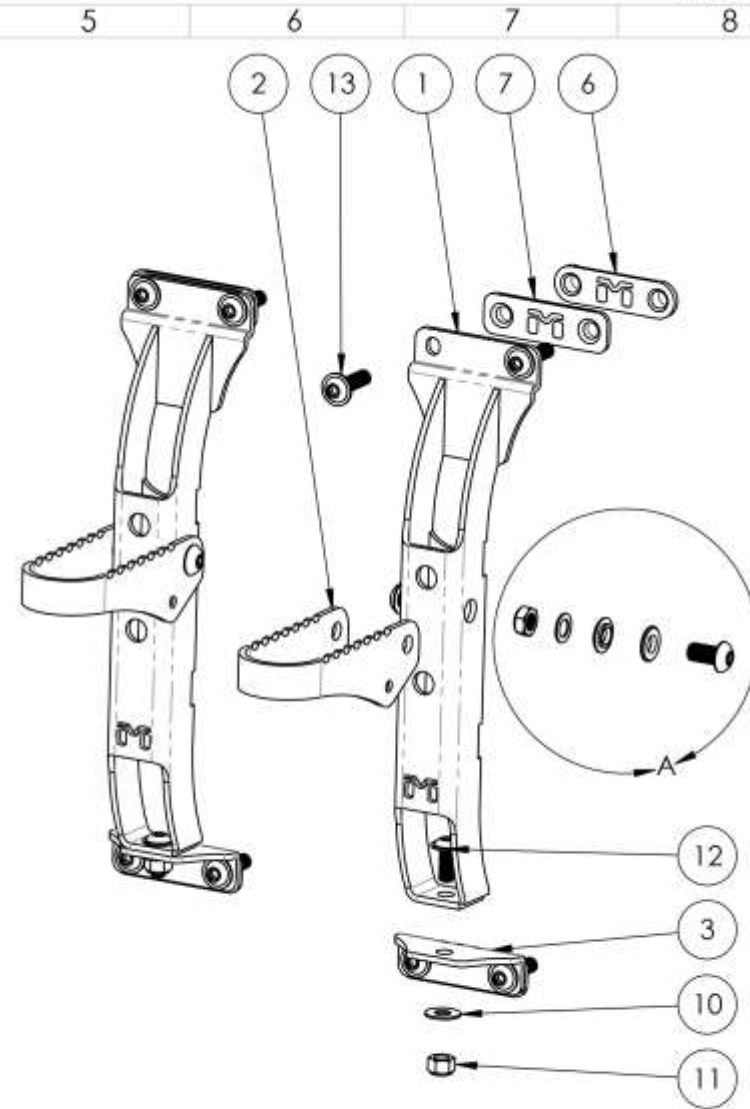
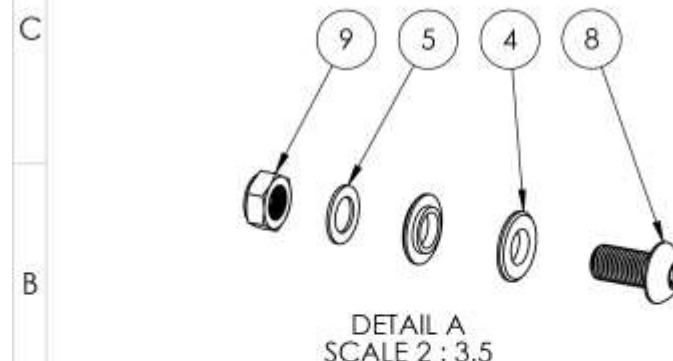
# Section 2: Product Components



DC-0001 REV A

SHEET 1 OF 1

ITEM	PART NUMBER/DESCRIPTION	QTY.
1	WM-7024 WELDMENT, HINGE STEP PRO BODY	2
2	WM-7023 WELDMENT, HINGE STEP PRO STEP	2
3	CS-0088 PLT, HINGE STEP PRO BOTTOM BRACKET	2
4	FA-2014 WASHER, 0.375 X 0.75OD NYLON BLK	8
5	FS-06260 WASHER, 0.39ID X 0.63OD X 0.03TH SS 18-8	4
6	FA-2012 SPACER, INJECTION MOLDED, JL	4
7	FA-2013 SPACER, INJECTION MOLDED, JK	4
8	FS-06258 SBHCS, 0.38-24 X 0.75L STL 18-8 SS	4
9	FS-06257 NYLOCK JAM NUT, 0.38-24 X 0.27H 18-8 SS	4
10	FS-05046 WASHER, 0.34ID X 0.75OD X 0.04TH SS 18-8	2
11	FS-05047 NYLOCK NUT, 0.31-18 X 0.34H STL GF ZINC	2
12	FS-05259 SBHCS FLANGE, 0.31-18 X 0.75L STL G8 SS 18-8	2
13	FM-08261 SBHCS FLANGE, M8-1.25 X 30L SS 18-8	8



THE INFORMATION CONTAINED ON THIS DRAWING IS THE EXCLUSIVE PROPERTY OF ARMORED WORKS, LLC. UNAUTHORIZED REPRODUCTION IS PROHIBITED.  
**DO NOT SCALE DRAWING**  
**Metal Cloak**  
 A DIVISION OF ARMORED WORKS, LLC  
**PART NUMBER/DESCRIPTION**  
 R60265 HINGE STEP PRO, UNIVERSAL

## Section 3: Installation Instructions



### Step 1: MetalCloak Pro Step Assembly

- A. Install the provided nylon pivot bushings into the holes on the side of the pro step body (*install a pivot bushing on the inside and outside of the hole*).
- B. Install the flip down step over the nylon pivot bushings.

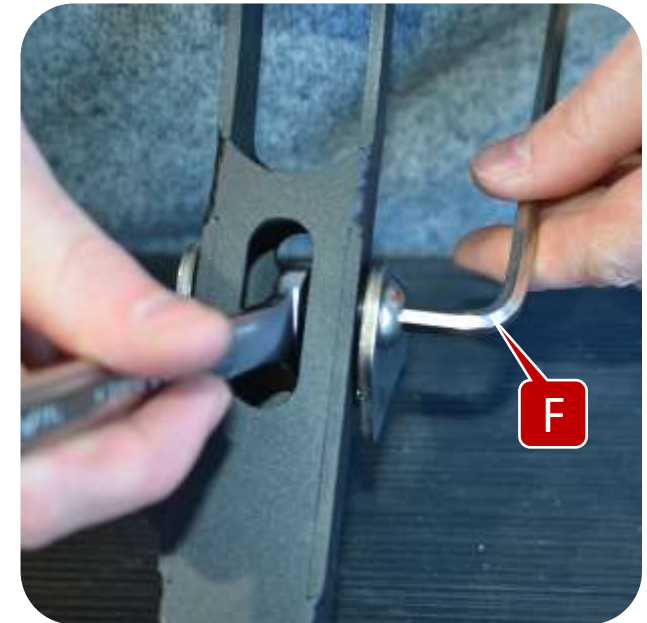


## Section 3: Installation Instructions



### Step 1: MetalCloak Pro Step Assembly

- C. Install the micro tension bolts into the hinge step and pivot bushings.
- D. Install the provided washer on the inside of the pro step body.
- E. Install the provided nut on the inside of the pro step body.
- F. Using a 9/16" wrench and a 7/32" allen wrench tighten the micro tension bolt snug.



## Section 3: Installation Instructions



### Step 2: MetalCloak Pro Step Installation

- G. Using a T50 torx socket remove the upper hinge bolts on the Jeep (*You may need a breaker bar to help remove the hinge bolts*).
- H. Install the hinge step spacer to the hinge.
- I. Using the provided bolts install the pro step body to the spacer and Jeep hinge.
- J. Using a 5mm allen socket tighten the step body hardware (*do not tighten fully*).

**Important Note:** MetalCloak provides spacers for both the JK Wrangler and JL Wrangler/JT Gladiator. The spacers should be clearly marked. Use the spacers for your Jeep Model.



JK Adapter



JL/JT Adapter



## Section 3: Installation Instructions



### Step 2: MetalCloak Pro Step Installation

- K. Using a T50 torx socket remove the lower hinge bolts on the Jeep (*You may need a breaker bar to help remove the hinge bolts*).
- L. Install the hinge step spacer to the hinge.
- M. Using the provided bolts install the pro step lower bracket to the spacer and Jeep hinge.
- N. Using a 5mm allen socket tighten the step body hardware (*do not tighten fully*).

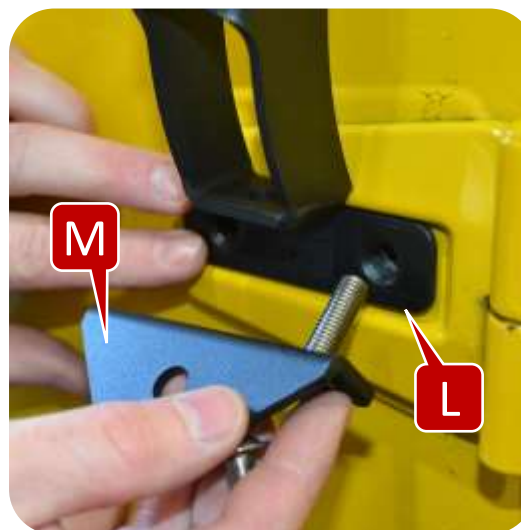
**Important Note:** MetalCloak provides spacers for both the JK Wrangler and JL Wrangler/JT Gladiator. The spacers should be clearly marked. Use the spacers for your Jeep Model.



JK Adapter



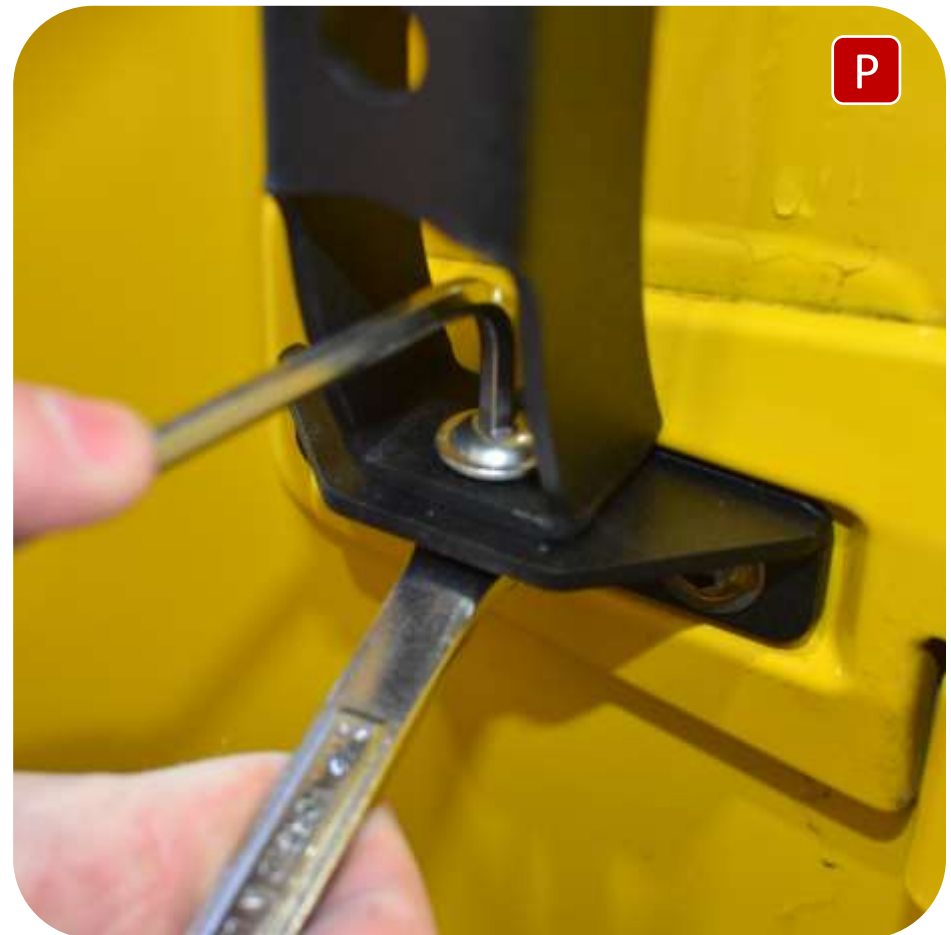
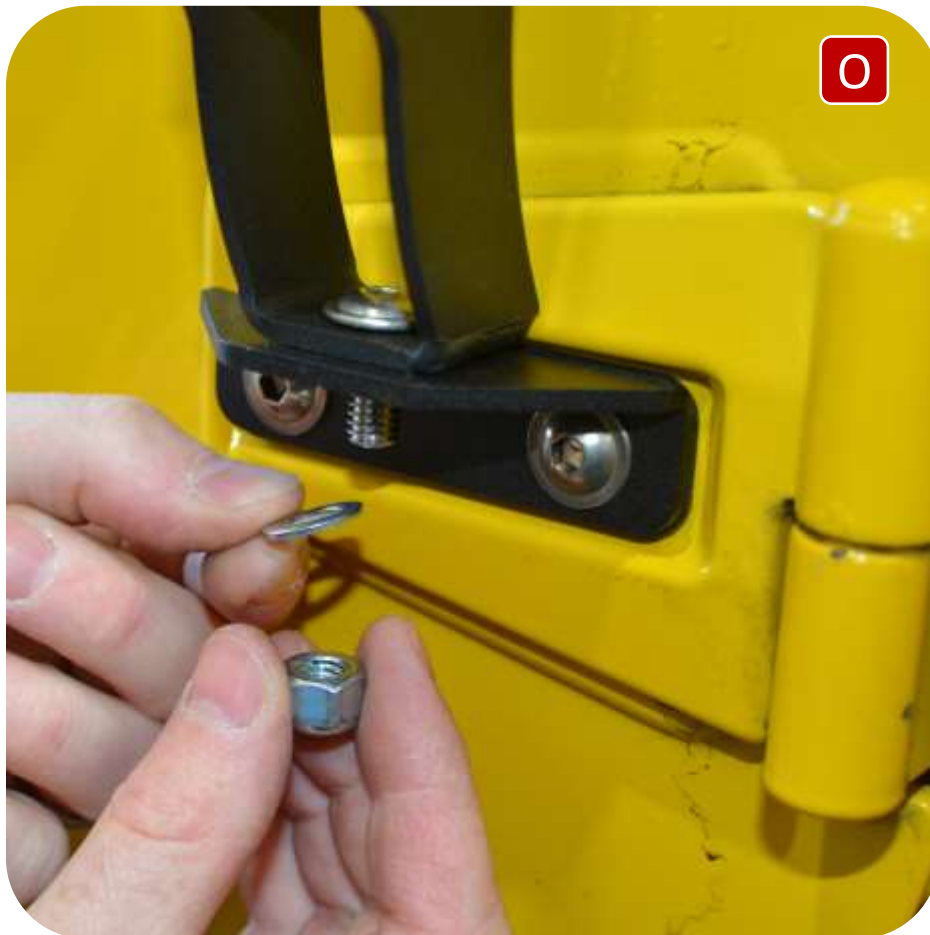
JL/JT Adapter



## Section 3: Installation Instructions

### Step 2: MetalCloak Pro Step Installation

- O. Bolt together the pro step body and lower bracket by using the provided bolt washer and nut.
- P. Tighten the pro step body to the lower bracket using a 3/16" allen and 1/2" wrench.
- Q. Tighten all pro step body hardware.





## Section 3: Installation Instructions



### Step 2: MetalCloak Pro Step Installation

**Note:** *The flip down step uses finer threaded bolts allowing for slight adjustments. Flip the step up and down and loosen or tighten the micro tension bolts to get your desired tension.*

