



## PRODUCT: JL Wrangler Kat Walk Solo Kit

REV: A | 10-14-2020 | R75090

**READ INSTRUCTIONS IN FULL BEFORE INSTALLATION.**  
**QUESTIONS? CALL 916-760-4575 M-F 7:00 AM – 5:00 PM PST**

The ARS experience includes the ease of installation of our products. We design for most contingencies, but installation may be different based on different Jeep condition, configuration and/or year.

We are continually trying to improve our products and instructions – please help us by providing feedback and pictures if you find any part of the instructions that do not match your Jeep or are not easily understandable.

If you have any difficulties at all, please give us a call. Thank you and enjoy your ARS Products!

**IMPORTANT NOTE: We use Stainless Steel Hardware where possible. Therefore, a tube of Silver Anti-seize is provided and should be used on all bolts—only a small amount is needed.**

**WARRANTY INFORMATION:** This article is sold without warranty expressed or implied. No warranty or representation is made as to this products ability to protect the user from injury or death. The user assumes that risk. The effectiveness, warranty and longevity of this equipment are directly related to the way it is INSTALLED, USED and/or MAINTAINED. THE USER ASSUMES ALL RISK. By purchasing this product and opening the packaging, purchasers expressly acknowledge, understand and agree that they take, select and purchase these ARS products from Armored Works, LLC, its affiliates and distributors and agents as is and with all faults. The entire risk as to the quality and performance of these ARS products is with the purchaser. Working on your vehicle can be a dangerous activity. If you are unsure of what you are doing, please leave mechanical or safety critical work to a skilled mechanic. We take no responsibility for the incorrect use and/or installation of ARS products.

## Section 1: Tools & Notes on Installation



**Tools Required:** This list is the recommended tools for ease of installation. Other versions of the same tool can be used. For example, Allen Wrenches instead of Allen Drive Sockets.



Socket Wrench

5mm Allen Wrench



T40 Torx Socket

1/2" Socket & Wrench



Drill

1/8" to 3/16" Drill Bits



Cutters

Dremel &  
Cut-Off Wheel



Blue Loctite

Clamps



**HOW TO USE THIS GUIDE:** The installation guide contains ALL steps for installation. Please read and follow the instructions in order of each page top to bottom and left to right.

**Jeep Model:** Instructions may apply to multiple Jeep models but are labeled separately where appropriate (i.e. TJ vs. LJ).

**Options:** Because of the number of component options we offer, these instructions may contain steps that will not match your configuration. You can skip these steps.

**Images:** Pictures are provided, and parts are labeled throughout the instructions. Each text box contains guidance based on the pictures next to it. The text will refer to alphabetical labels (A, B, etc.) found in the images.

**Installation Notes:** Terms may be used in the body of the instructions that you may not be familiar with, if you have any questions feel free to contact us at the number below, or email [techhelp@metalcloak.com](mailto:techhelp@metalcloak.com)

**QUESTIONS:** Any questions or comments about the instructions? Call us at 916-760-4575 M-F 7:00 AM – 5:00 PM PST.

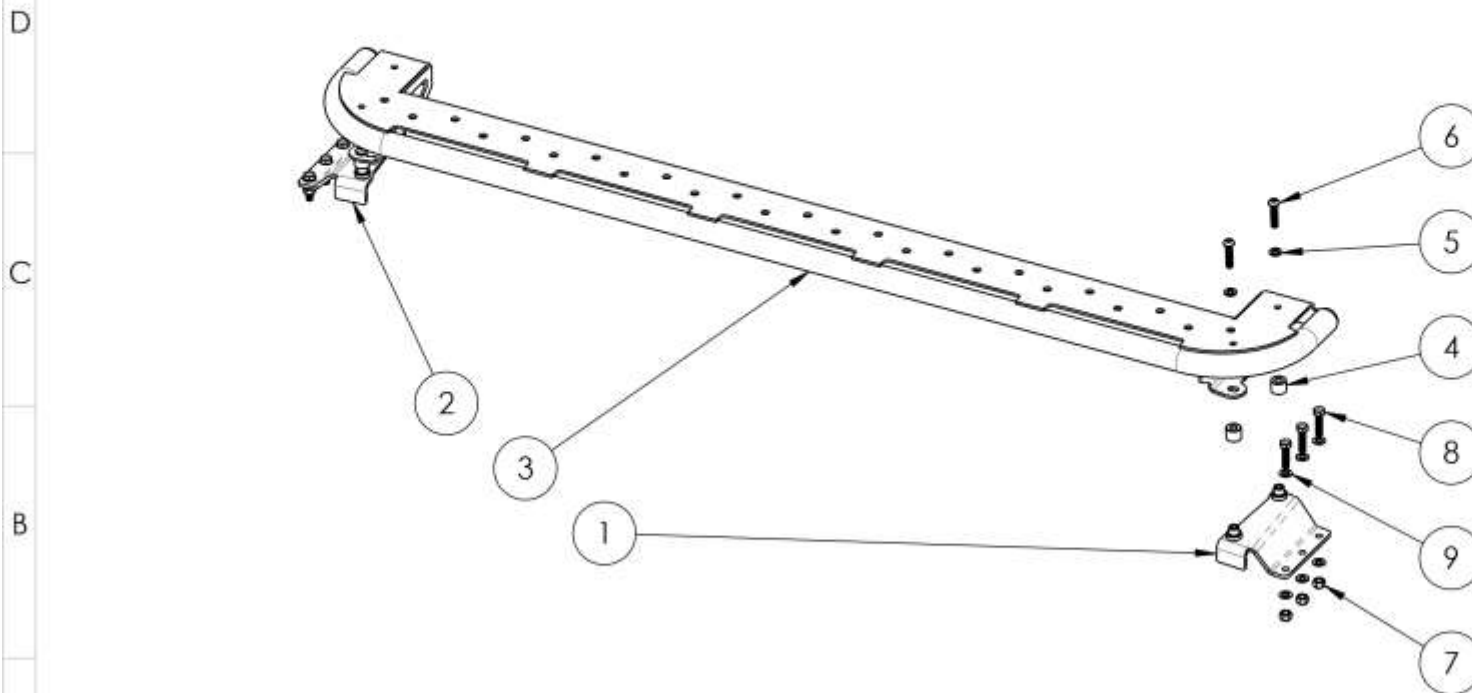
## Section 2: Product Components



SHEET 1 OF 1

DC-0001 REV A

ITEM	PART NUMBER/DESCRIPTION	QTY.
1	WM-7043 WELDMENT, FRONT INNER BASE SUPPORT UPPER, JL	1
2	WM-7043-P WELDMENT, FRONT INNER BASE SUPPORT UPPER, JL	1
3	WM-7048 WELDMENT, KAT-WALK, JL	1
4	CS-0158 BILLET, FRONT INNER SPACER, JL	4
5	FM-08269 WASHER, 8.4ID X 15.0OD X 1.6TH SS 18-8 PLAIN	4
6	FM-08278 SBHCS, M8-1.25 X 35L SS 18-8 PLAIN	4
7	FS-05047 NYLOCK NUT, 0.31-18 X 0.34H STL GF ZINC	6
8	FS-05194 HHCS, 0.31-18 X 1.25L STL G5 ZINC	6
9	FS-05242 WASHER, 0.33ID X 0.63OD X 0.05TH STL ZINC	12



THE INFORMATION CONTAINED ON THIS DRAWING IS THE EXCLUSIVE PROPERTY OF ARMORED WORKS, LLC. UNAUTHORIZED REPRODUCTION IS PROHIBITED.

**DO NOT SCALE DRAWING**

**PART NUMBER/DESCRIPTION**

**Metal Cloak**  
A DIVISION OF ARMORED WORKS, LLC

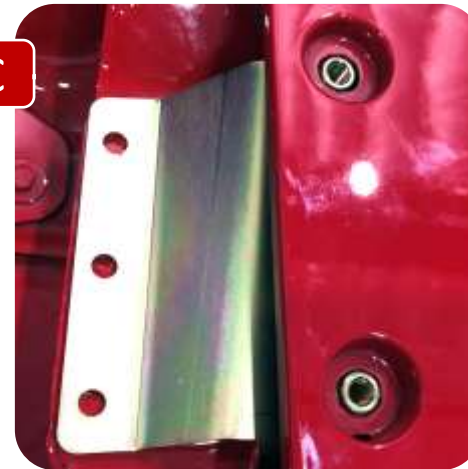
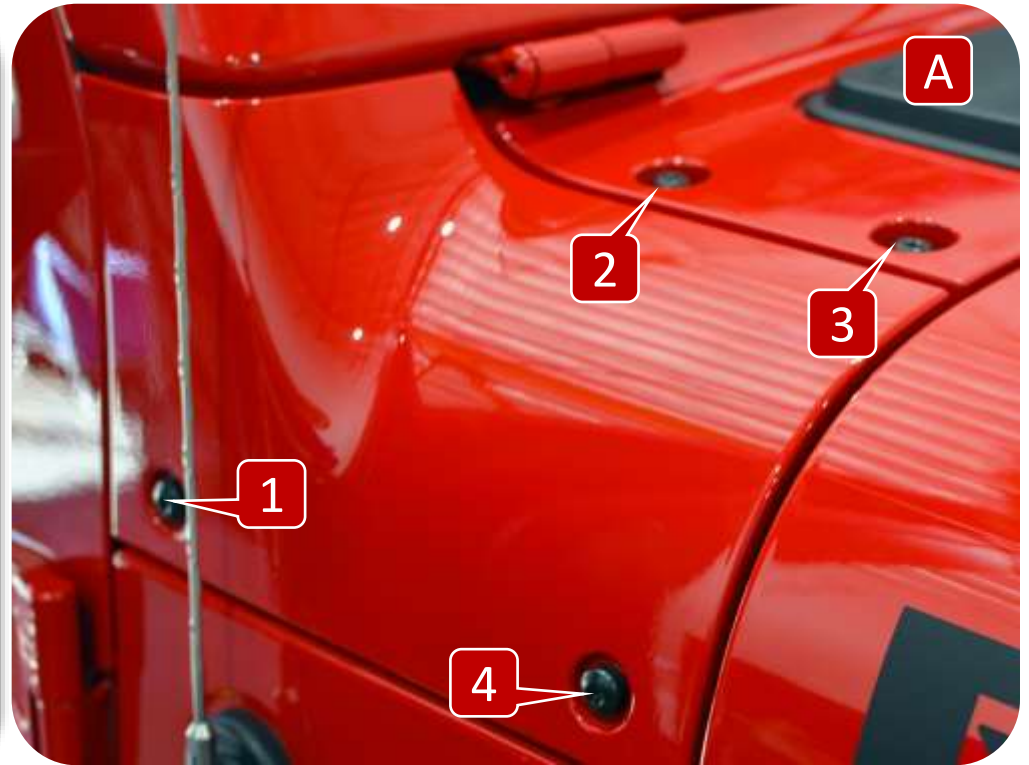
R75090 KAT WALK SOLO KIT, JL

## Section 3: Installation Instructions



### Step 1: Kat Walk Solo Bracket Installation

- A. Using a T40 torx wrench remove the four stock torx bolts from the side panel and hood cowl.
- B. Remove the side panel.
- C. Using a dremel enlarge the T40 torx holes on the hood cowl making sure they are large enough to fit the bracket's 1/2" standoffs. Do NOT use a drill to open the holes.
- D. Using cutters remove the plastic tab underneath the hood cowl.

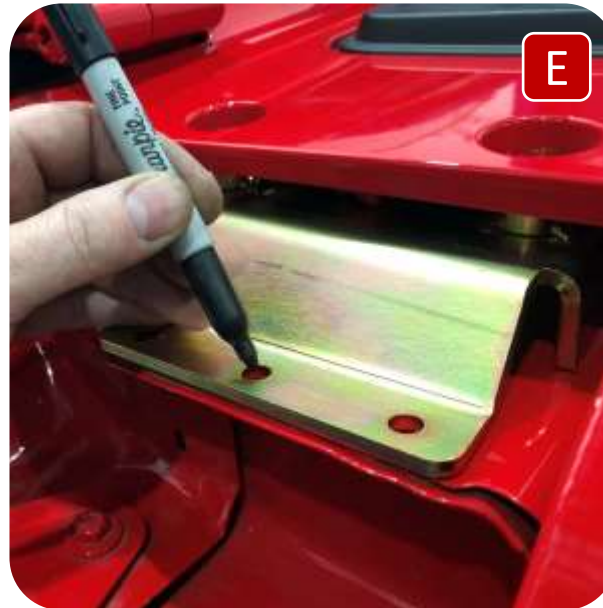


## Section 3: Installation Instructions



### Step 1: Kat Walk Solo Bracket Installation

- E. Mark the three bracket holes and remove the bracket in preparation for drilling.
- F. Drill a pilot hole on the marked locations and step up to a 3/16 drill bit.
- G. Paint any exposed metal to prevent rusting.
- H. Install the provided bolts, washers, and nuts and tighten with a 1/2" socket and wrench.



## Section 3: Installation Instructions



### Step 2: Side Panel Preparation

- Using a clamp hold the side panel securely to help prevent movement when cutting.

**Note:** *The marked locations are the parts that will need to be removed from the side panel.*



Front



Note

Back

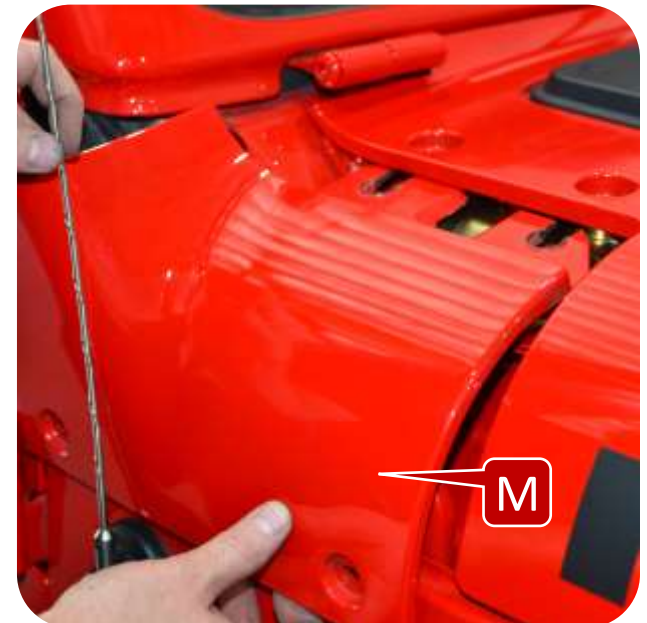
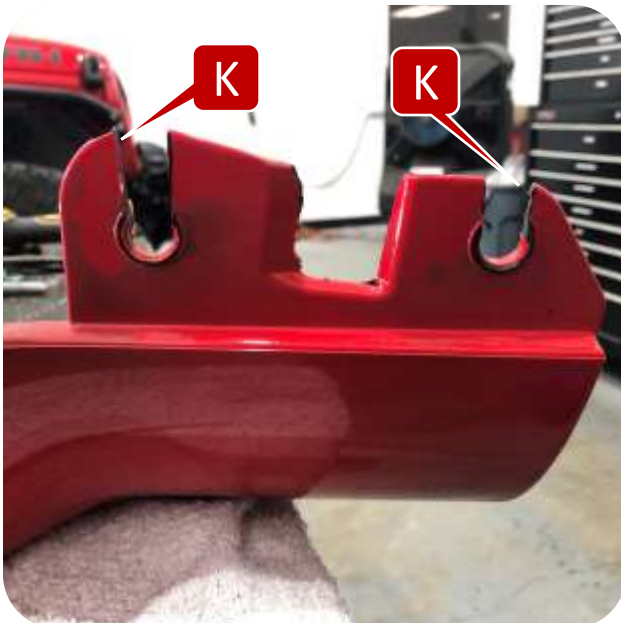


Note

## Section 3: Installation Instructions

### Step 2: Side Panel Preparation

- J. Using a cut off wheel cut off the standoffs on the back of the side panel.
- K. Using the cut off wheel cut the notches on the front of the side panel. The notches need to be wide enough to fit around the bracket standoffs.
- L. Using a cut off wheel cut off the previously marked center bracket.
- M. Reinstall the side panel.



## Section 3: Installation Instructions



### Step 3: Install Kat Walk

- N. Using a T40 torx wrench loosely reinstall the two side panel bolts.
- O. Place the provided spacers into the T40 bolt locations on the front cowl.
- P. Place the kat walk onto of the front cowl. We recommend having a second person help install the kat walk.
- Q. Place blue Loctite onto the provided bolts and Install the bolts and washers, insert a 5mm allen wrench into the holes on the kat walk platform to tighten the bolts into the front cowl.
- R. Tighten all hardware.

