



PRODUCT: JT Gladiator Tall Riser Bed Rack

REV: A | 10-06-2021 | R77400

READ INSTRUCTIONS IN FULL BEFORE INSTALLATION.
QUESTIONS? CALL 916-760-4575 M-F 7:00 AM – 5:00 PM PST

The ARS experience includes the ease of installation of our products. We design for most contingencies, but installation may be different based on different Jeep condition, configuration and/or year.

We are continually trying to improve our products and instructions – please help us by providing feedback and pictures if you find any part of the instructions that do not match your Jeep or are not easily understandable.

If you have any difficulties at all, please give us a call. Thank you and enjoy your ARS Products!

IMPORTANT NOTE: We use Stainless Steel Hardware where possible. Therefore, a tube of Silver Anti-seize is provided and should be used on all bolts—only a small amount is needed.

WARRANTY INFORMATION: This article is sold without warranty expressed or implied. No warranty or representation is made as to this products ability to protect the user from injury or death. The user assumes that risk. The effectiveness, warranty and longevity of this equipment are directly related to the way it is INSTALLED, USED and/or MAINTAINED. THE USER ASSUMES ALL RISK. By purchasing this product and opening the packaging, purchasers expressly acknowledge, understand and agree that they take, select and purchase these ARS products from Armored Works, LLC, its affiliates and distributors and agents as is and with all faults. The entire risk as to the quality and performance of these ARS products is with the purchaser. Working on your vehicle can be a dangerous activity. If you are unsure of what you are doing, please leave mechanical or safety critical work to a skilled mechanic. We take no responsibility for the incorrect use and/or installation of ARS products.



Section 1: Tools & Notes on Installation

Tools Required: This list is the recommended tools for ease of installation. Other versions of the same tool can be used. For example, Allen Wrenches instead of Allen Drive Sockets.



Socket Wrench

7/32" Allen Wrench
3/8" Allen Wrench



1/2" Socket or Wrench

HOW TO USE THIS GUIDE: The installation guide contains ALL steps for installation. Please read and follow the instructions in order of each page top to bottom and left to right.

Jeep Model: Instructions may apply to multiple Jeep models but are labeled separately where appropriate (i.e. TJ vs. LJ).

Options: Because of the number of component options we offer, these instructions may contain steps that will not match your configuration. You can skip these steps.

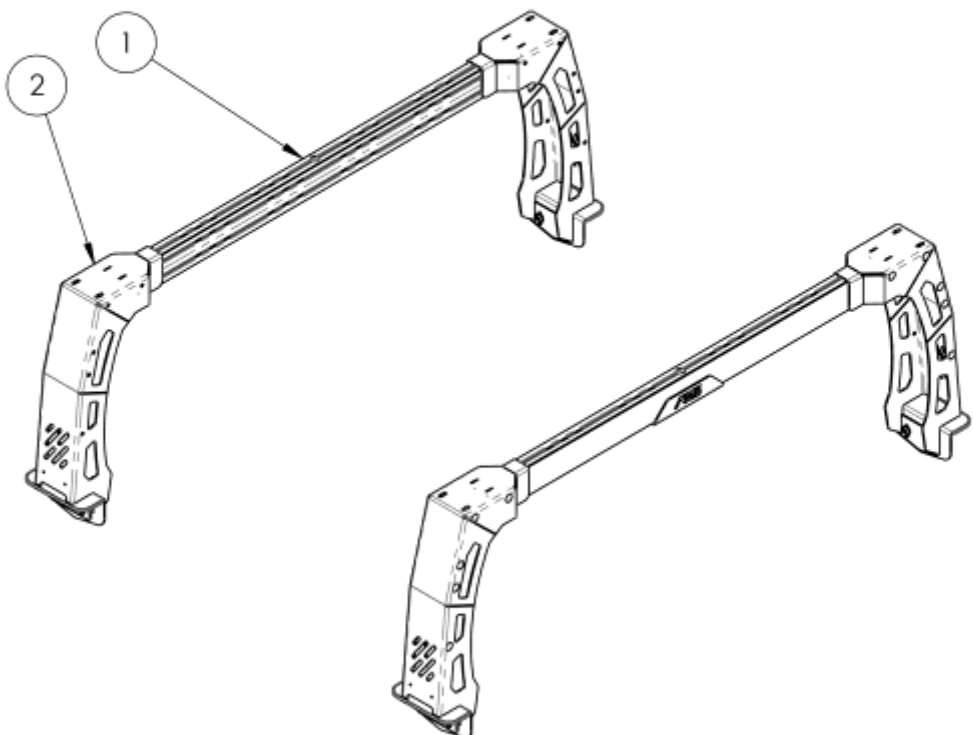

Images: Pictures are provided, and parts are labeled throughout the instructions. Each text box contains guidance based on the pictures next to it. The text will refer to alphabetical labels (A, B, etc.) found in the images.

Installation Notes: Terms may be used in the body of the instructions that you may not be familiar with, if you have any questions feel free to contact us at the number below, or email techhelp@metalcloak.com

QUESTIONS: Any questions or comments about the instructions? Call us at 916-760-4575 M-F 7:00 AM – 5:00 PM PST.

Section 2: Product Components

DC-0001 Rev B

1	2	3	4	5	6	7	8
ITEM	PART NUMBER/DESCRIPTION			QTY.			
1	R77001 ARS BED RACK CROSS BEAMS, 50IN			1			
2	R77300 TALL RISER BED RACK, 19IN			1			
E	OPTIONS: 1. R77100 BED RACK MIDDLE SUPPORT KIT, JT 2. R77200 BED RACK SIDE ACCESSORY PNL, JT 3. R77600 TALL BED RACK SIDE ACCESSORY PNL KIT, JT						
D							
C							
B							
A							
				THE INFORMATION CONTAINED ON THIS DRAWING IS THE EXCLUSIVE PROPERTY OF ARMORED WORKS, LLC. UNAUTHORIZED REPRODUCTION IS PROHIBITED. DO NOT SCALE DRAWING		 A DIVISION OF ARMORED WORKS, LLC	
				PART NUMBER/DESCRIPTION R77400 ARS TALL RISER BED RACK SYSTEM 19IN			

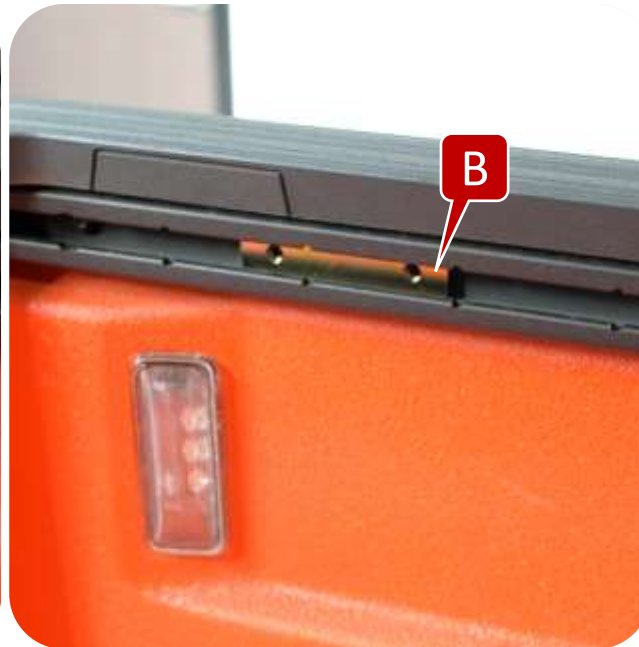


Section 3: Installation Instructions

Step 1: Preparation for Rack Installation

Important Note: *These instructions are for the Tall Risers Base Rack only. If you have the Tall Riser with additional accessories like the Middle Support Kit, Accessory Side Panels, or Roof Top Tent Brackets check out the Tall Riser Bed Rack System instructions at modernjeepforum.com to help prevent repeating steps.*

- A. Loosen the plastic nut on the tie down and slide the tie downs to the end of the gear track to remove.
- B. Place two of the gold zinc gear track mounting brackets inside the gear track on each side of the bed.
- C. Measure the bed width.



Section 3: Installation Instructions



Step 2: Tall Riser Rack Assembly

- D. Press the ARS bed riser pad into the bed riser legs. Use a mallet if needed.
- E. Prepare the riser bed legs by loosely installing two carriage bolts, washers, split washer, and nut into each leg. Place bolts in mirrored locations of each leg in sets of two.
- F. Slide the extrusion bar into the legs setting the mounting distance at the bed width (*56 3/16" is a starting point*).



Section 3: Installation Instructions



Step 3: Tall Riser Rack Installation

- G. Place the bed risers in the bed with extrusion slots facing in toward each other.
- H. Bolt the bed risers to the gear track mounting bracket using a 7/32" allen.
- I. Using a 1/2" wrench tighten down the extrusion bars in the tower legs.



Section 3: Installation Instructions



Step 3: Tall Riser Rack Installation

- J. Slide two T-slot nuts into the bottom slot of the rear extrusion bar (*Tall riser closest to the tail gate*).
- K. Using the provided bolts install the ARS Logo plate in the center of the rear extrusion bar and tighten with a 3/8" allen wrench.
- L. Press the black plastic push rivets in visible outward holes in the bed riser legs.

