



PRODUCT: JT Gladiator BakPak Short Hoop

REV: A | 05-18-2023 | R77704

READ INSTRUCTIONS IN FULL BEFORE INSTALLATION.
QUESTIONS? CALL 916-760-4575 M-F 7:00 AM – 5:00 PM PST

The ARS experience includes the ease of installation of our products. We design for most contingencies, but installation may be different based on different Jeep condition, configuration and/or year.

We are continually trying to improve our products and instructions – please help us by providing feedback and pictures if you find any part of the instructions that do not match your Jeep or are not easily understandable.

If you have any difficulties at all, please give us a call. Thank you and enjoy your ARS Products!

IMPORTANT NOTE: We use Stainless Steel Hardware where possible. Therefore, a tube of Silver Anti-seize is provided and should be used on all bolts—only a small amount is needed.

WARRANTY INFORMATION: This article is sold without warranty expressed or implied. No warranty or representation is made as to this products ability to protect the user from injury or death. The user assumes that risk. The effectiveness, warranty and longevity of this equipment are directly related to the way it is INSTALLED, USED and/or MAINTAINED. THE USER ASSUMES ALL RISK. By purchasing this product and opening the packaging, purchasers expressly acknowledge, understand and agree that they take, select and purchase these ARS products from Armored Works, LLC, its affiliates and distributors and agents as is and with all faults. The entire risk as to the quality and performance of these ARS products is with the purchaser. Working on your vehicle can be a dangerous activity. If you are unsure of what you are doing, please leave mechanical or safety critical work to a skilled mechanic. We take no responsibility for the incorrect use and/or installation of ARS products.



Section 1: Tools & Notes on Installation

Tools Required: This list is the recommended tools for ease of installation. Other versions of the same tool can be used. For example, Allen Wrenches instead of Allen Drive Sockets.



1/2" Wrench
3/4" Wrench

7/32" Allen Wrench
3/8" Allen Wrench



Blue Lock Tight

HOW TO USE THIS GUIDE: The installation guide contains ALL steps for installation. Please read and follow the instructions in order of each page top to bottom and left to right.

Jeep Model: Instructions may apply to multiple Jeep models but are labeled separately where appropriate (i.e. TJ vs. LJ).

Options: Because of the number of component options we offer, these instructions may contain steps that will not match your configuration. You can skip these steps.

Images: Pictures are provided, and parts are labeled throughout the instructions. Each text box contains guidance based on the pictures next to it. The text will refer to alphabetical labels (A, B, etc.) found in the images.

Installation Notes: Terms may be used in the body of the instructions that you may not be familiar with, if you have any questions feel free to contact us at the number below, or email techhelp@metalcloak.com

QUESTIONS: Any questions or comments about the instructions? Call us at 916-760-4575 M-F 7:00 AM – 5:00 PM PST.

Section 2: Product Components

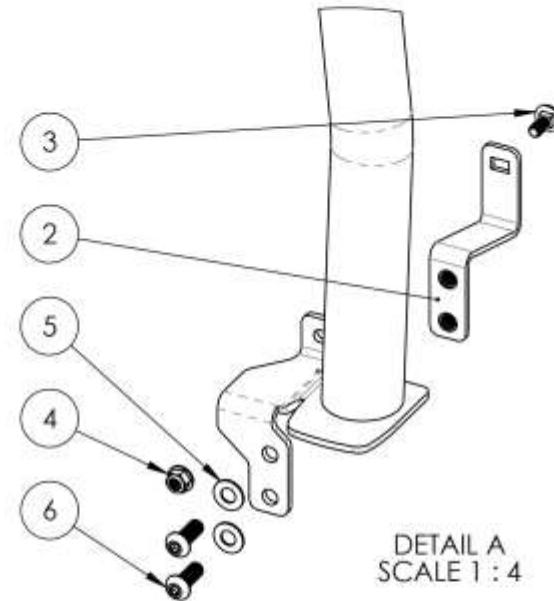
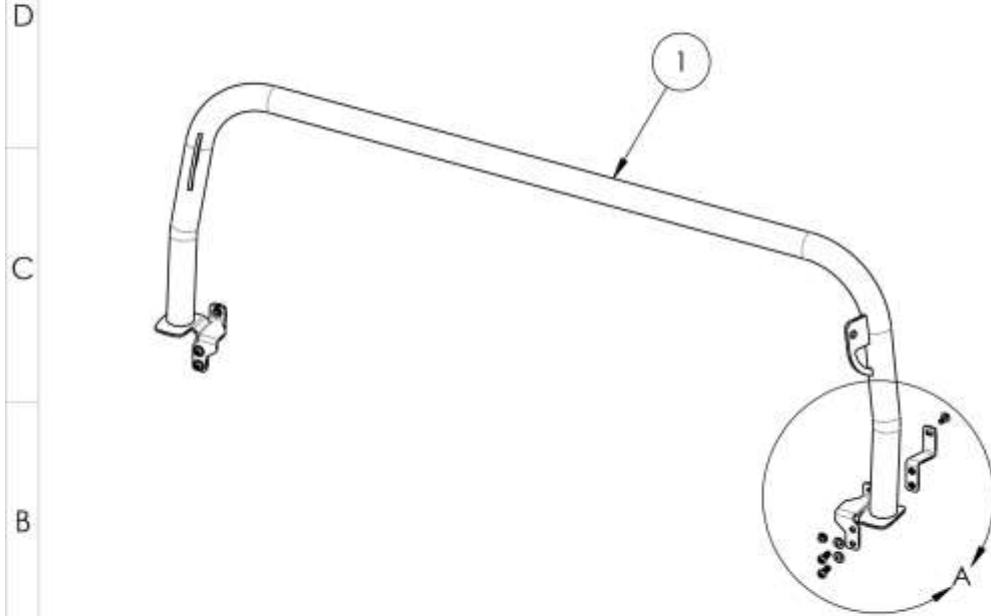


DC-0001 Rev B

SHEET 1 OF 2

ITEM	PART NUMBER/DESCRIPTION	QTY.
1	WM-7106 WELDMENT, BAKPAK SHORT REAR HOOP, JT	1
2	CS-0301 PLT, REAR CAB HOOP Z BRACKET, JT	2
E HK-R77704		
3	FS-05244 CARRIAGE BOLT, 0.31-18 X 0.75L STL G5 ZNC	2
4	FS-05250 NYLOCK FLANGE NUT, 0.31-18 X 0.34H STL GF ZINC	2
5	FS-06004 WASHER, 0.41ID X 0.81OD X 0.05TH SS 18-8	4
6	FS-06325 SBHCS, 0.38-16 X 1.0L STL ZINC	4

NOTES:
1. PACKING DETAILS ON SHEET No. 2



A

THE INFORMATION CONTAINED ON THIS DRAWING IS THE EXCLUSIVE PROPERTY OF ARMORED WORKS, LLC. UNAUTHORIZED REPRODUCTION IS PROHIBITED.

DO NOT SCALE DRAWING

Metal Cloak
A DIVISION OF ARMORED WORKS, LLC

PART NUMBER/DESCRIPTION

R77704 BAKPAK SHORT HOOP, JT

Section 3: Installation Instructions



Step 1: Install the Rear Hoop

- A. Locate 2x holes on the inner corners of the trucks bed closest to the cab. Make sure the holes are clear from rivet nuts. if rivet nuts are inserted, they need to be removed.
- B. Place the rear hoop on top of the truck bed (B1), then take the "Z" bracket and insert the bracket in the gap between the bed and the cab of the truck (B2) so the holes inside line up.
- C. Using a 7/32 allen and blue Loctite, install the provided allen head hardware and washers to the inside flange and "Z" bracket. Leave loose.





Section 3: Installation Instructions

Step 1: Install the Rear Hoop

- D. Install the carriage bolt and nylock nut to the top hole on the Z bracket and using a 1/2" wrench, hand tighten the carriage bolt, washer, and nylock nut to the top of the "Z" bracket. Repeat other side.

Note: *If you are also installing the BakPak Bed Rack System to the rear hoop you will not require the tube clamps. Using a 3/8" allen socket and a 3/4" wrench install the BakPak Bed Rails to the welded bracket on the rear hoop.*

- E. Once everything is aligned and all the hardware installed should you tighten all hardware.

