



PRODUCT: JT BakPak Bed Rack Lo-Pro Cross Beam Kit

REV: A | 01-25-2023 | R77711

READ INSTRUCTIONS IN FULL BEFORE INSTALLATION.

QUESTIONS? CALL 916-760-4575 M-F 7:00 AM – 5:00 PM PST

The ARS experience includes the ease of installation of our products. We design for most contingencies, but installation may be different based on different Jeep condition, configuration and/or year.

We are continually trying to improve our products and instructions – please help us by providing feedback and pictures if you find any part of the instructions that do not match your Jeep or are not easily understandable.

If you have any difficulties at all, please give us a call. Thank you and enjoy your ARS Products!

IMPORTANT NOTE: We use Stainless Steel Hardware where possible. Therefore, a tube of Silver Anti-seize is provided and should be used on all bolts—only a small amount is needed.

WARRANTY INFORMATION: This article is sold without warranty expressed or implied. No warranty or representation is made as to this products ability to protect the user from injury or death. The user assumes that risk. The effectiveness, warranty and longevity of this equipment are directly related to the way it is INSTALLED, USED and/or MAINTAINED. THE USER ASSUMES ALL RISK. By purchasing this product and opening the packaging, purchasers expressly acknowledge, understand and agree that they take, select and purchase these ARS products from Armored Works, LLC, its affiliates and distributors and agents as is and with all faults. The entire risk as to the quality and performance of these ARS products is with the purchaser. Working on your vehicle can be a dangerous activity. If you are unsure of what you are doing, please leave mechanical or safety critical work to a skilled mechanic. We take no responsibility for the incorrect use and/or installation of ARS products.

Section 1: Tools & Notes on Installation



Tools Required: This list is the recommended tools for ease of installation. Other versions of the same tool can be used. For example, Allen Wrenches instead of Allen Drive Sockets.



1/2" Wrench

1/4" Allen Wrench



HOW TO USE THIS GUIDE: The installation guide contains ALL steps for installation. Please read and follow the instructions in order of each page top to bottom and left to right.

Jeep Model: Instructions may apply to multiple Jeep models but are labeled separately where appropriate (i.e. TJ vs. LJ).

Options: Because of the number of component options we offer, these instructions may contain steps that will not match your configuration. You can skip these steps.

Images: Pictures are provided, and parts are labeled throughout the instructions. Each text box contains guidance based on the pictures next to it. The text will refer to alphabetical labels (A, B, etc.) found in the images.

Installation Notes: Terms may be used in the body of the instructions that you may not be familiar with, if you have any questions feel free to contact us at the number below, or email techhelp@metalcloak.com

QUESTIONS: Any questions or comments about the instructions? Call us at 916-760-4575 M-F 7:00 AM – 5:00 PM PST.

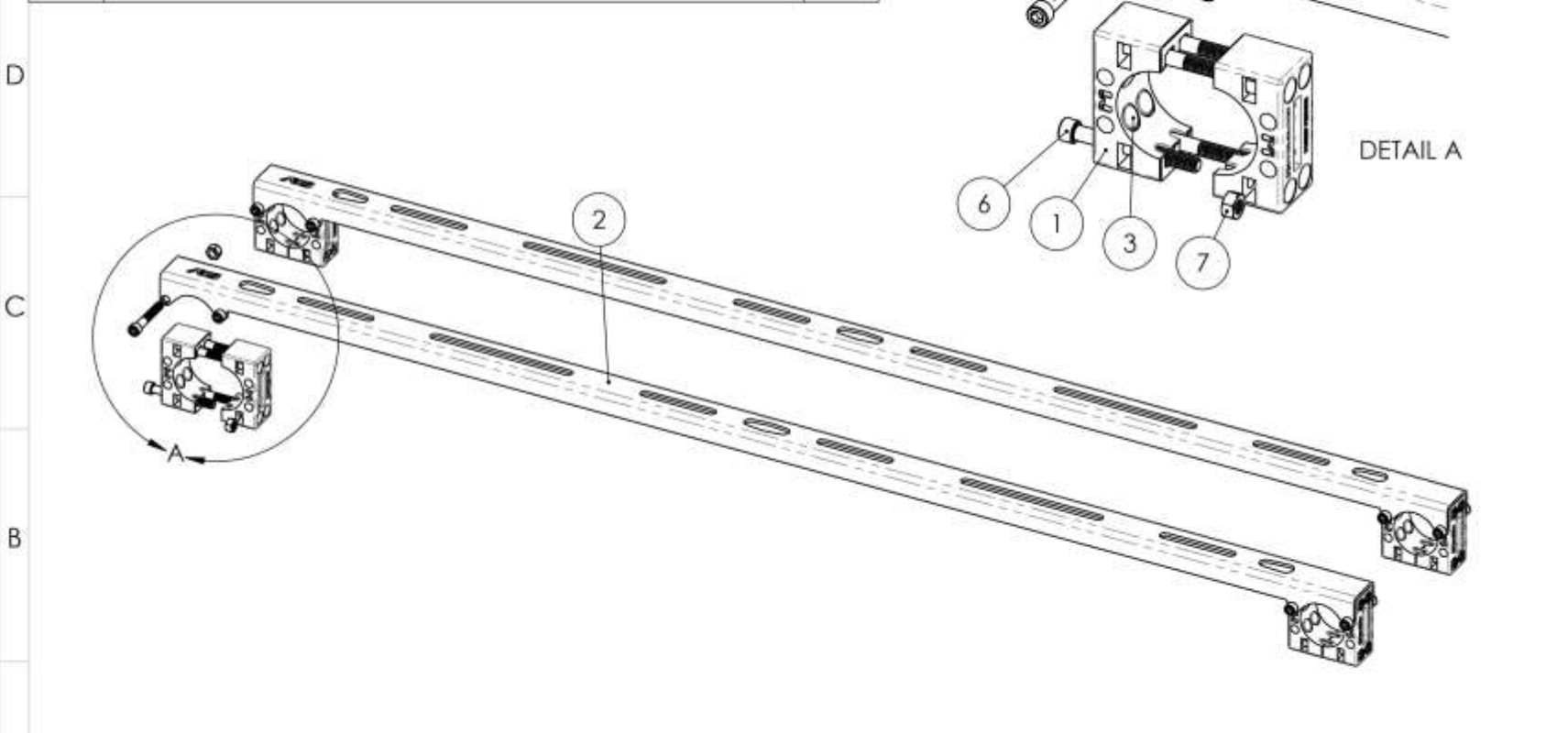
Section 2: Product Components



DC-0001 REV A

SHEET 1 OF 1

ITEM	PART NUMBER/DESCRIPTION	QTY.
1	CS-0314 UNIVERSAL CLAMP, 2.00	8
2	CS-0354 SHEET, YAKIMA PROFILE BAKPAK CROSSBAR	2
E HARDWARE KIT		
3	FA-0154 ADHESIVE BACKED RUBBER BUMPER, .50OD X .06H	32
4	FS-05047 NYLOCK NUT, 0.31-18 X 0.34H STL GF ZINC	8
5	FS-05240 SHCS, 0.31-18 X 2.0L STL G8 ZINC	8
6	FS-05254 SHCS, 0.31-18 X 2.75L STL G8 ZINC	16
7	FS-05297 NUT, 0.31-18 X 0.27H STL GF ZINC	16



THE INFORMATION CONTAINED ON THIS DRAWING IS THE EXCLUSIVE PROPERTY OF ARMORED WORKS, LLC. UNAUTHORIZED REPRODUCTION IS PROHIBITED.
DO NOT SCALE DRAWING

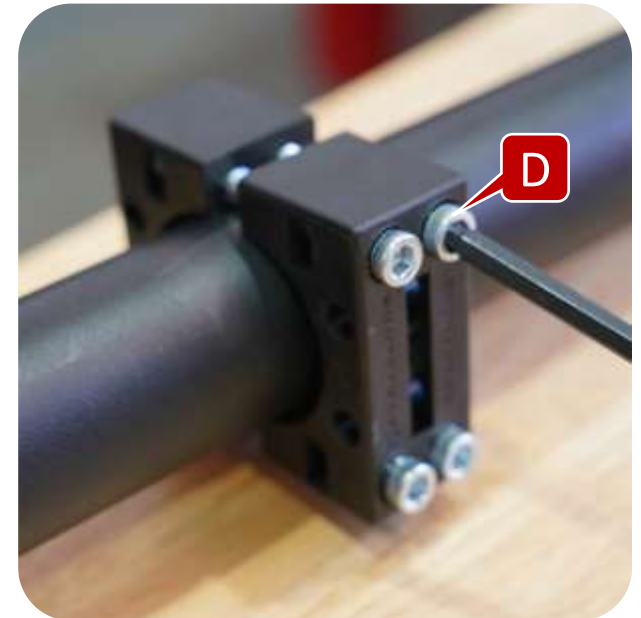
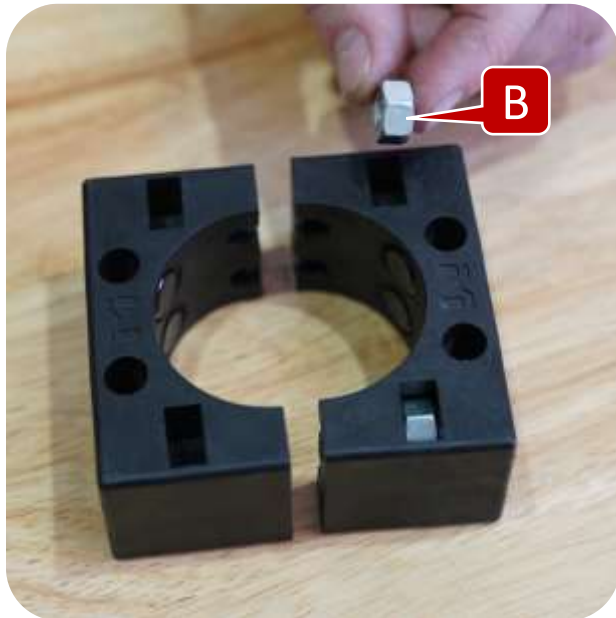
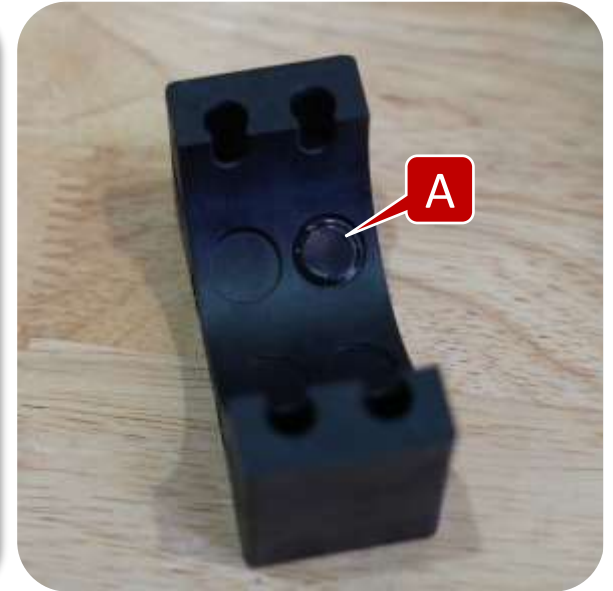
Metal Cloak
 A DIVISION OF ARMORED WORKS, LLC

PART NUMBER/DESCRIPTION
 R77711 LOW PROFILE BAKPAK CROSSBEAM PAIR

Section 3: Installation Instructions

Step 1: Universal Clamp Installation

- A. Stick the adhesive backed bumpers into the circular depressions on the inside of each clamp.
- B. Place nuts into the nut slots in one of the clamps.
- C. Place the clamps over your chosen two-inch tube and use the provided bolts to attach to the other clamp.
- D. Using a 1/4" allen wrench tighten the bolts.



Section 3: Installation Instructions

Step 2: Cross Beam Installation

- E. Install the cross beam over the top of the multi mount.
- F. Tighten the bolts with a 1/4" allen wrench and 1/2" wrench.

