



PRODUCT: TJ Gas Tank Skid Plate

REV: B | 07-01-2015 | II-2700

READ INSTRUCTIONS IN FULL BEFORE INSTALLATION.
QUESTIONS? CALL 916-631-8071 M-F 7:00 AM – 5:00 PM PST

The MetalCloak experience includes the ease of installation of our products. We design for most contingencies, but installation may be different based on different Jeep condition, configuration and/or year.

We are continually trying to improve our products and instructions – please help us by providing feedback and pictures if you find any part of the instructions that do not match your particular Jeep or are not easily understandable.

If you have any difficulties at all, please give us a call. Thank you and enjoy your MetalCloak Products!

IMPORTANT NOTE: We use Stainless Steel Hardware where possible. Therefore, a tube of Silver Anti-seize is provided and should be used on all bolts—only a small amount is needed.

WARRANTY INFORMATION: This article is sold without warranty expressed or implied. No warranty or representation is made as to this products ability to protect the user from injury or death. The user assumes that risk. The effectiveness, warranty and longevity of this equipment are directly related to the manner in which it is INSTALLED, USED and/or MAINTAINED. THE USER ASSUMES ALL RISK. By purchasing this product and opening the packaging, purchasers expressly acknowledge, understand and agree that they take, select and purchase these MetalCloak products from Armored Works, LLC, its affiliates and distributors and agents as is and with all faults. The entire risk as to the quality and performance of these MetalCloak products is with the purchaser. Working on your vehicle can be a dangerous activity. If you are unsure of what you are doing, please leave mechanical or safety critical work to a skilled mechanic. We take no responsibility for the incorrect use and/or installation of MetalCloak products.

Section 1: Tools & Notes on Installation



Tools Required: This list is the recommended tools for ease of installation. Other versions of the same tool can be used. For example, Allen Wrenches instead of Allen Drive Sockets.



Socket & Ratchet Wrench

13mm Socket
14mm Socket



Flathead Screwdriver

HOW TO USE THIS GUIDE: The installation guide contains ALL steps for installation. Please read and follow the instructions in order of each page top to bottom, and left to right.

Jeep Model: Instructions may apply to multiple Jeep models, but are labeled separately where appropriate (i.e. TJ vs. LJ).

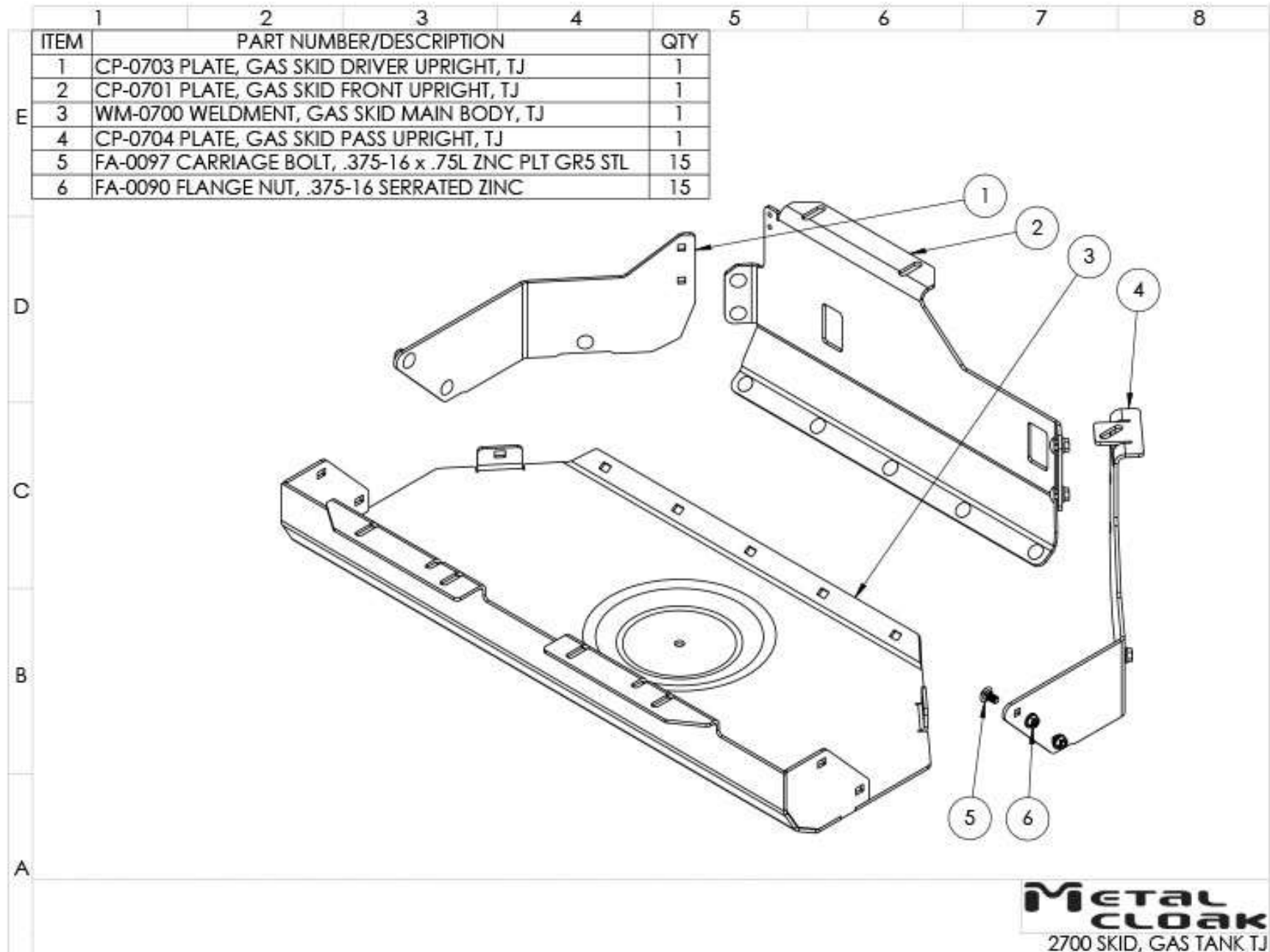
Options: Because of the number of component options we offer, these instructions may contain steps that will not match your particular configuration. You can skip these steps.

Images: Pictures are provided and parts are labeled throughout the instructions. Each text box contains guidance based on the pictures next to it. The text will refer to alphabetical labels (A, B, etc.) found in the images.

Installation Notes: Terms may be used in the body of the instructions that you may not be familiar with, if you have any questions feel free to contact us at the number below, or email techhelp@metalcloak.com

QUESTIONS: Any questions or comments about the instructions? Call us at 916-631-8071 M-F 7:00 AM – 5:00 PM PST.

Section 2: Product Components



Section 3: Installation Instructions



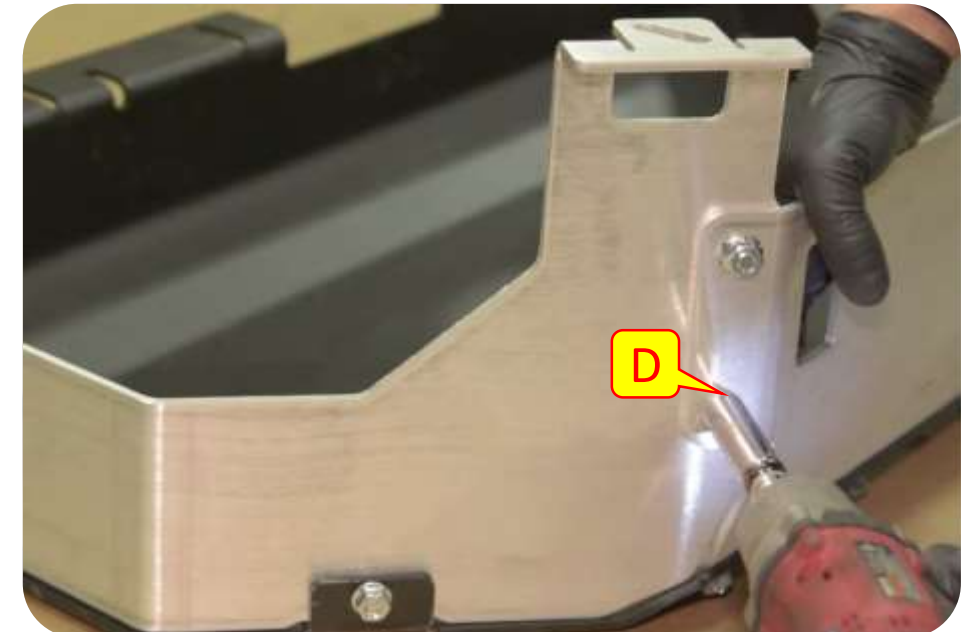
Note: *An assistant is very helpful for this installation. Be sure the Gas Tank is as near to empty as possible to keep the weight manageable.*

Section 3: Installation Instructions

Step 1: Assemble MetalCloak Gas Tank Skid Plate

Note: When bolting on all aluminum pieces make sure all the nuts appear on the outside of the skid plate.

- A. Using the provided hardware assemble the rear portion of the gas tank skid plate making sure the aluminum rear piece is on the inside of the skid plate. **DO NOT FULLY TIGHTEN BOLTS.**
- B. Assemble the right side portion of the gas tank skid plate making sure the aluminum piece is on the inside of the gas tank skid plate. **DO NOT FULLY TIGHTEN BOLTS.**
- C. Assemble the left side portion of the gas tank skid plate making sure the aluminum piece is on the inside of the gas tank skid plate. **DO NOT FULLY TIGHTEN BOLTS.**
- D. Once all sides are assembled tighten hardware using a 14mm socket.



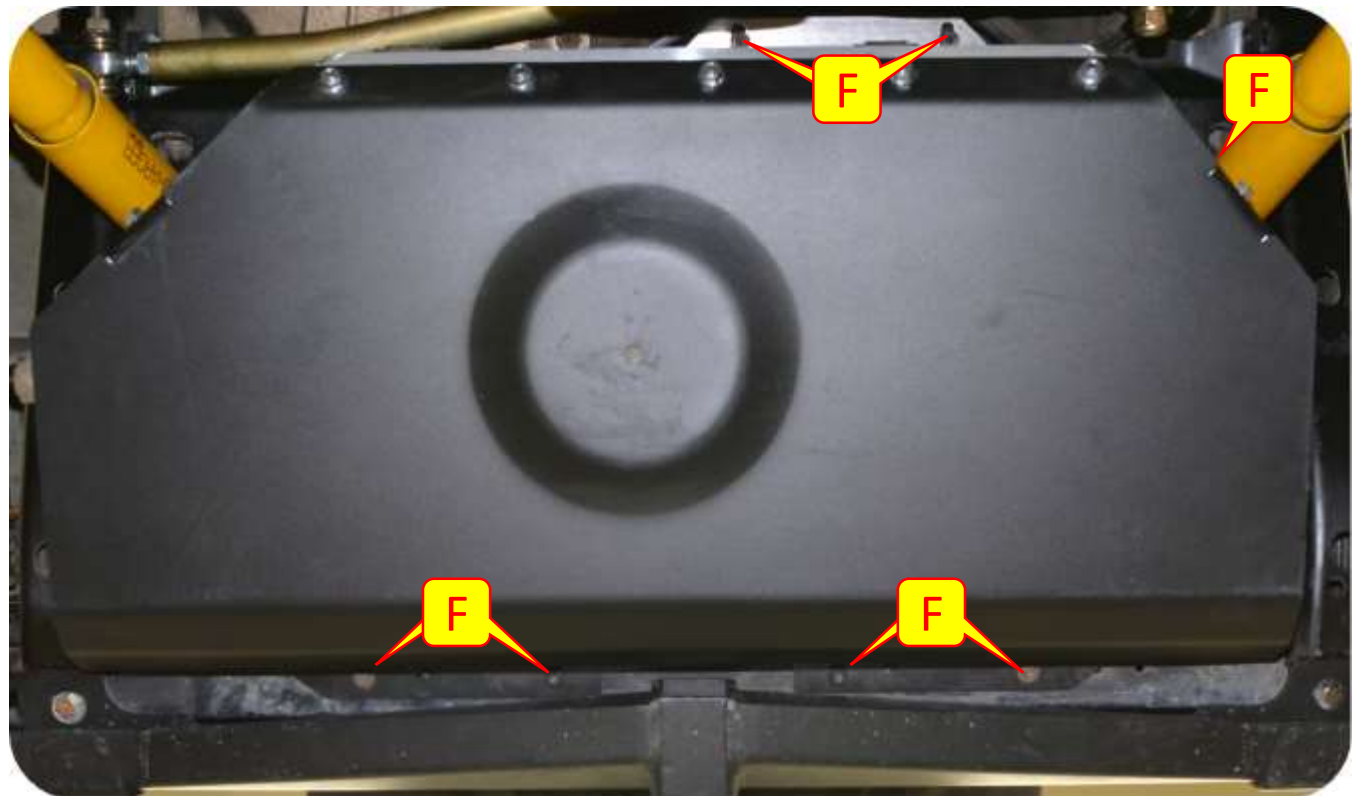
Section 3: Installation Instructions

Step 2: Remove Stock Components



- E. Make sure the gas tank is properly supported.
- F. Using a 13mm socket remove the 7 factory bolts holding on the gas tank. You will reuse these bolts for installation.

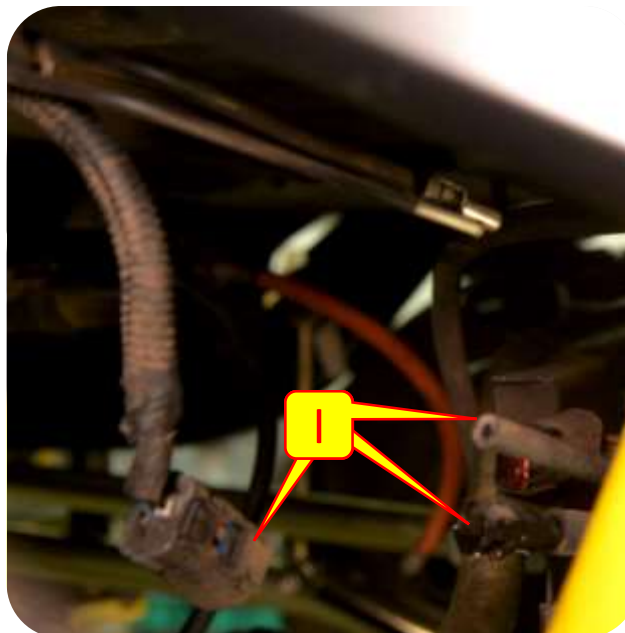
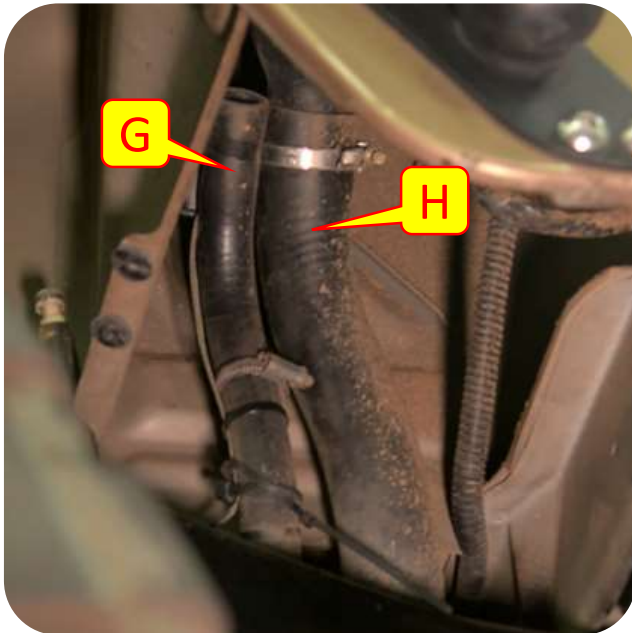
Note: Image is for bolt location reference only.



Section 3: Installation Instructions

Step 2: Remove Stock Components

- G. Disconnect the vent hose use a flathead screwdriver to loosen hose clamp.
- H. Use a flathead screwdriver to loosen hose clamp and disconnect the fill hose.
- I. Disconnect the electrical connector, charcoal hose and return line.
- J. Carefully lower and remove the gas tank.

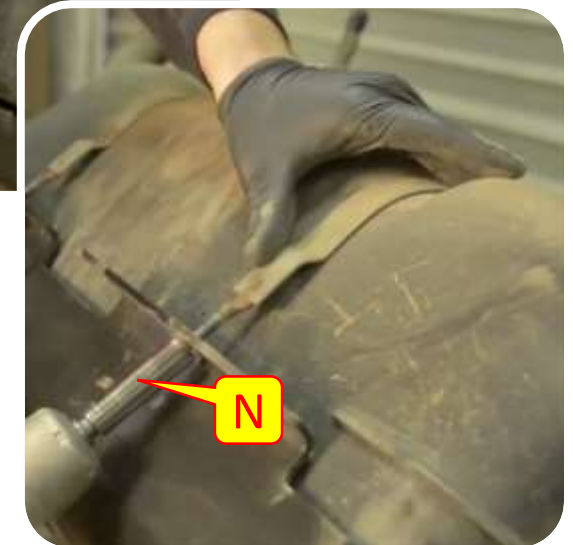


Section 3: Installation Instructions



Step 3: Install MetalCloak Gas Tank Skid Plate

- K. Remove the two stock gas tank straps using a 13mm socket. You will be reusing the straps and factory hardware.
- L. Install the factory gas tank straps into MetalCloak's gas tank skid plate slots on the rear aluminum panel.
- M. Place the gas tank into the MetalCloak skid plate.
- N. Attach the original gas tank straps around the gas tank and tighten down the straps using the factory bolts and a 13mm socket.



Section 3: Installation Instructions

Step 3: Install MetalCloak Gas Tank Skid Plate

- O. Properly support the gas tank skid plate and carefully raise it into place.
- P. Fasten the side of the skid closest to the front of the Jeep first using stock bolts and a 13mm socket.
- Q. Using stock bolts and a 13mm socket fasten the rear of the skid into place with the original hardware.
- R. Reconnect electrical connector, charcoal line and return line.
- S. Reconnect fill and vent hoses and tighten hose clamps using a flathead screwdriver.

