



PRODUCT: JK Bantam X & Vacuum Pump Mount

REV: A | 04-28-2021 | II-3154

READ INSTRUCTIONS IN FULL BEFORE INSTALLATION.
QUESTIONS? CALL 916-631-8071 M-F 7:00 AM – 5:00 PM PST

The MetalCloak experience includes the ease of installation of our products. We design for most contingencies, but installation may be different based on different Jeep condition, configuration and/or year.

We are continually trying to improve our products and instructions – please help us by providing feedback and pictures if you find any part of the instructions that do not match your particular Jeep or are not easily understandable.

If you have any difficulties at all, please give us a call. Thank you and enjoy your MetalCloak Products!

IMPORTANT NOTE: We use Stainless Steel Hardware where possible. Therefore, a tube of Silver Anti-seize is provided and should be used on all bolts—only a small amount is needed.

WARRANTY INFORMATION: This article is sold without warranty expressed or implied. No warranty or representation is made as to this products ability to protect the user from injury or death. The user assumes that risk. The effectiveness, warranty and longevity of this equipment are directly related to the manner in which it is INSTALLED, USED and/or MAINTAINED. THE USER ASSUMES ALL RISK. By purchasing this product and opening the packaging, purchasers expressly acknowledge, understand and agree that they take, select and purchase these MetalCloak products from Armored Works, LLC, its affiliates and distributors and agents as is and with all faults. The entire risk as to the quality and performance of these MetalCloak products is with the purchaser. Working on your vehicle can be a dangerous activity. If you are unsure of what you are doing, please leave mechanical or safety critical work to a skilled mechanic. We take no responsibility for the incorrect use and/or installation of MetalCloak products.

Section 1: Tools & Notes on Installation



Tools Required: This list is the recommended tools for ease of installation. Other versions of the same tool can be used. For example, Allen Wrenches instead of Allen Drive Sockets.



Ratchet

8mm Socket/Wrench
10mm Socket/Wrench



Wire Cutters

Wire Stripper/Crimper



Phillips Head Screwdriver

T4 Torx Wrench



HOW TO USE THIS GUIDE: The installation guide contains ALL steps for installation. Please read and follow the instructions in order of each page top to bottom, and left to right.

Jeep Model: Instructions may apply to multiple Jeep models, but are labeled separately where appropriate (i.e. TJ vs. LJ).

Options: Because of the number of component options we offer, these instructions may contain steps that will not match your particular configuration. You can skip these steps.

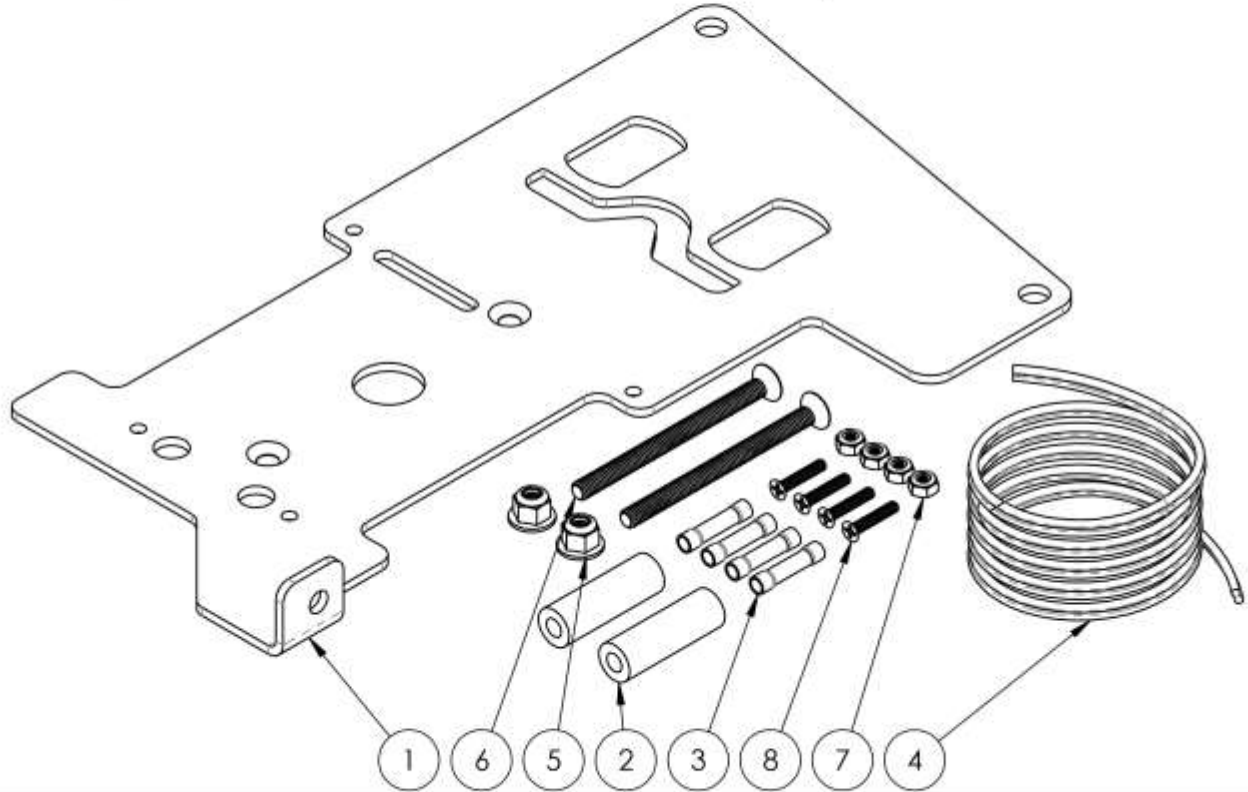
Images: Pictures are provided and parts are labeled throughout the instructions. Each text box contains guidance based on the pictures next to it. The text will refer to alphabetical labels (A, B, etc.) found in the images.

Installation Notes: Terms may be used in the body of the instructions that you may not be familiar with, if you have any questions feel free to contact us at the number below, or email techhelp@metalcloak.com

QUESTIONS: Any questions or comments about the instructions? Call us at 916-631-8071 M-F 7:00 AM – 5:00 PM PST.

Section 2: Product Components

ITEM	PART NUMBER/DESCRIPTION	QTY.
1	CP-3644 PLATE, SPOD BANTAMX MOUNT-VACUUM RELOCATION, JK HK-3154	1
E 2	FA-0133 SPACER, 6.3ID X 13OD X 40L ALUMINUM	2
3	FA-1024 BUTT SPLICE, 22-18GA	4
4	FA-1025-45 WIRE, 18GA TWO-CONDUCTOR X 45IN	1
5	FM-06050 NYLOCK FLANGE NUT, M6-1.0 X 9.1H STL C8 ZINC	2
6	FM-06083 SFHCS, M6-1 X 80L STL C10.9 ZINC	2
7	FS-00084 NYLOCK NUT, 6-32 X 0.17H STL GF ZINC	4
8	FS-00085 FHCS CROSS, 6-32 X 0.75L STL ZINC	4



THE INFORMATION CONTAINED ON THIS DRAWING IS THE EXCLUSIVE PROPERTY OF ARMORED WORKS, LLC. UNAUTHORIZED REPRODUCTION IS PROHIBITED.

DO NOT SCALE DRAWING

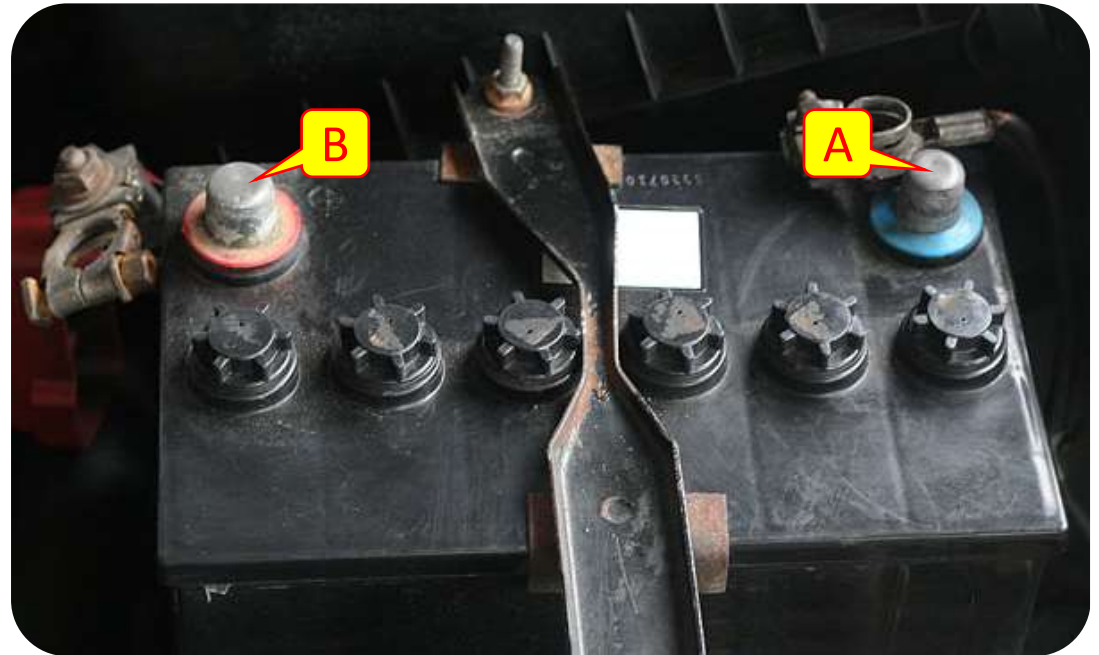
Metal Cloak
A DIVISION OF ARMORED WORKS, LLC

PART NUMBER/DESCRIPTION
3154 SPOD BANTAM X MOUNT-VACUUM RELOCATION KIT, JK

Section 3: Installation Instructions

Step 1: Vacuum Pump Removal

- A. Disconnect the negative terminal of the battery.
- B. Disconnect the positive terminal of the battery.
- C. Remove the two mounting nuts using a 10mm socket to disconnect the pump from the stock bracket.
- D. Pop the green retainer clip off the quick disconnect to release the vacuum line from the pump.



Section 3: Installation Instructions

Step 1: Vacuum Pump Removal



- E. Pull the small intake hose from the pump.
- F. Remove the electrical connector and disconnect the harness.
- G. Pry out the connector clip and disconnect the vacuum hose.



Section 3: Installation Instructions

Step 1: Vacuum Pump Removal

- H. Separate the check valve and quick disconnect from the vacuum line.
- I. Remove approximately 3 ft. of factory large vacuum hose from split connector in engine compartment near PCM module so that you can reroute & reconnect the vacuum connector clip to the vacuum line.
- J. Using wire cutters remove the harness connector so you can reuse both the connector and the original wiring.



Note: Discard small vacuum pump exhaust hose. The new location for the vacuum pump will not require exhaust hose.



Section 3: Installation Instructions

Step 2: Vacuum Pump Relocation Wiring



- K. Strip back the wiring with wire strippers and extend using the provided butt connectors and crimp close.
- L. Route the wire to prevent any potential damage.

Wiring Diagram

Vacuum Pump

Provided Wire

Black

Black

Green

Red

Section 3: Installation Instructions

Step 2: Vacuum Pump Relocation Wiring



M. Use the butt connectors to connect the extension wire to the original wiring and crimp close.

N. Use a zip-tie to secure new wiring to the Jeep.



Wiring Diagram

Vacuum Pump

Provided Wire

Black

Black

Green

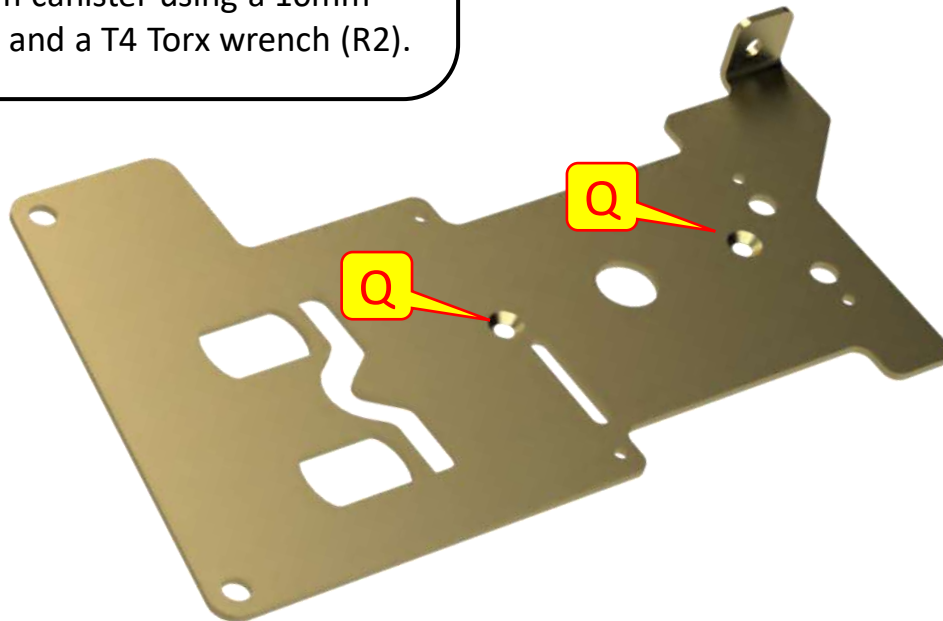
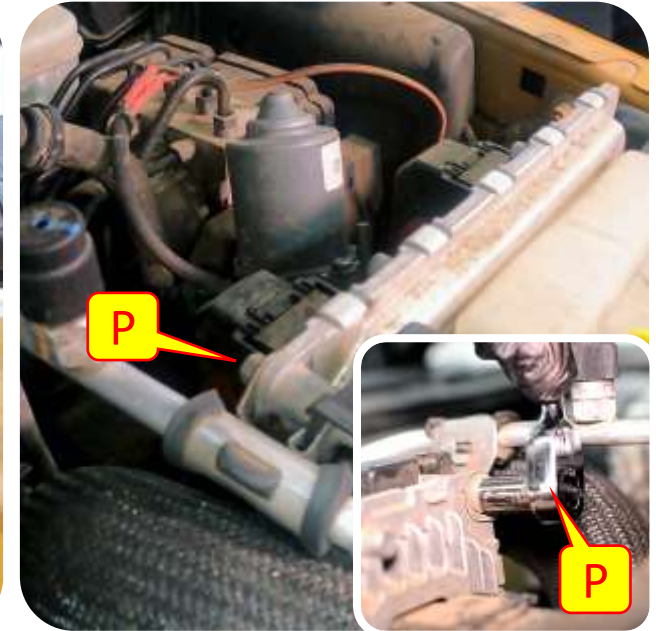
Red



Section 3: Installation Instructions

Step 3: Install Vacuum Pump

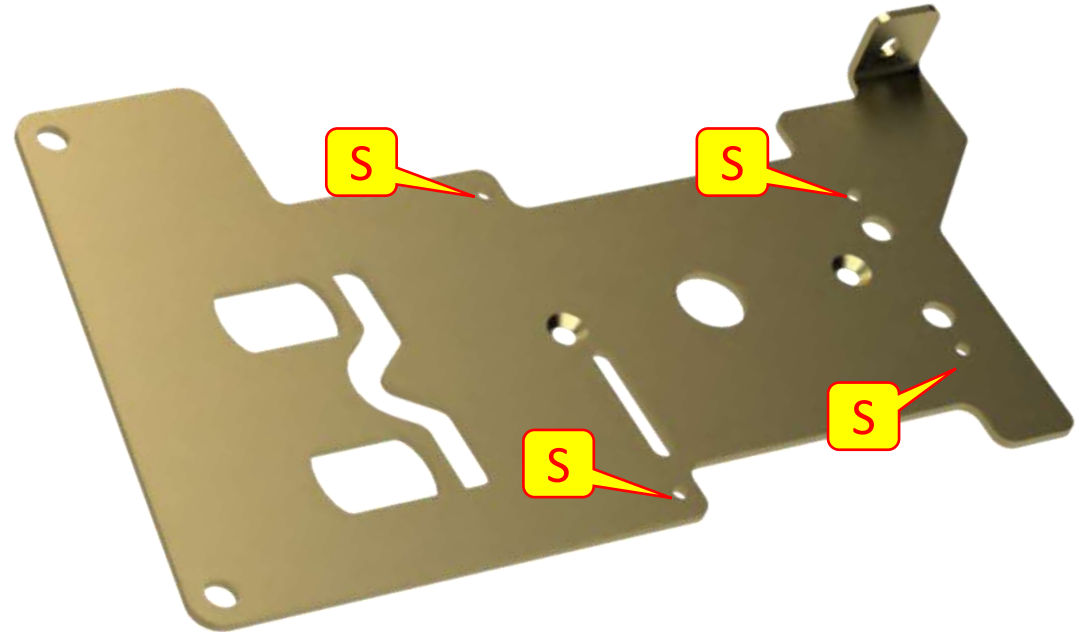
- O. Using a 10mm socket remove the two upper fender bolts.
- P. Remove the one bolt located on the ECU using a 8mm socket.
- Q. Install the Vacuum canister underneath the SPOD mount using the provided holes.
- R. Slide the spacers (R1) over the bolts before installing the Vacuum Canister. Tighten down the vacuum canister using a 10mm socket and a T4 Torx wrench (R2).



Section 3: Installation Instructions

Step 4: Install Bantam X

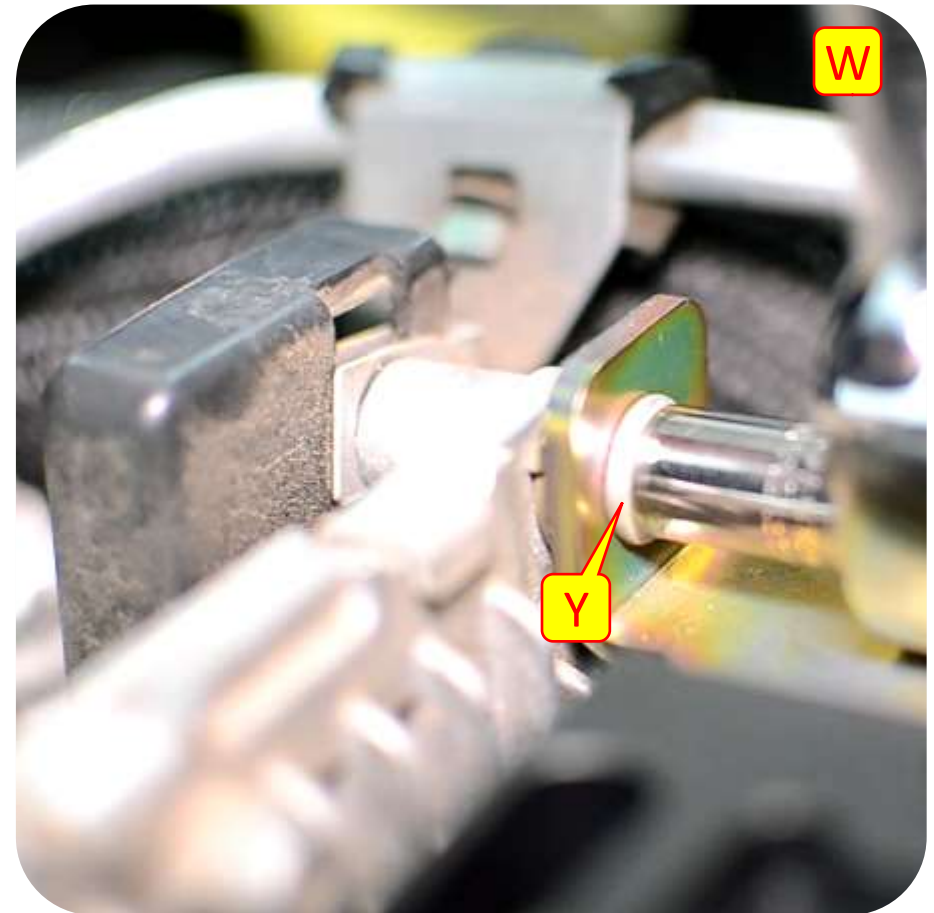
- S. Remove the cover on the Bantam X mount and using the provided screws and nuts mount the Bantam X to the provided mount.
- T. Using a Phillips head screwdriver and a 8mm wrench. Tighten down the Bantam X Mount to the bracket.
- U. Once tightened reinstall the cover on the Bantam X Mount.



Section 3: Installation Instructions

Step 5: Install Relocation Bracket

- V. Using the stock fender bolts loosely install the Bantam X mount to the Jeep.
- W. Reinstall the ECU bolt.
- X. Using a 10mm socket tighten the fender bolts.
- Y. Using a 10mm socket tighten the ECU bolt.



Section 3: Installation Instructions

Step 6: Vacuum Pump Hose and Wiring Reinstallation

- Z. Press the harness plug into the two drilled holes in the plastic piece of the ABS mount.
- AA. Reconnect quick disconnect and intake hose.
- BB. Pop the green retainer clip on the quick disconnect and use zip-ties on any loose wiring.
- CC. Make sure all hardware is tightened and wiring is zip-tied to avoid potential damage.
- DD. Reconnect the positive on the battery.
- EE. Reconnect the negative on the battery.

