



Installation Instructions



PRODUCT: JK Fender to Grill Reinforcement Bracket

REV: B | 06-30-2015 | II-3201

READ INSTRUCTIONS IN FULL BEFORE INSTALLATION.
QUESTIONS? CALL 916-631-8071 M-F 7:00 AM – 5:00 PM PST

The MetalCloak experience includes the ease of installation of our products. We design for most contingencies, but installation may be different based on different Jeep condition, configuration and/or year.

We are continually trying to improve our products and instructions – please help us by providing feedback and pictures if you find any part of the instructions that do not match your particular Jeep or are not easily understandable.

If you have any difficulties at all, please give us a call. Thank you and enjoy your MetalCloak Products!

IMPORTANT NOTE: We use Stainless Steel Hardware where possible. Therefore, a tube of Silver Anti-seize is provided and should be used on all bolts—only a small amount is needed.

WARRANTY INFORMATION: This article is sold without warranty expressed or implied. No warranty or representation is made as to this products ability to protect the user from injury or death. The user assumes that risk. The effectiveness, warranty and longevity of this equipment are directly related to the manner in which it is INSTALLED, USED and/or MAINTAINED. THE USER ASSUMES ALL RISK. By purchasing this product and opening the packaging, purchasers expressly acknowledge, understand and agree that they take, select and purchase these MetalCloak products from Armored Works, LLC, its affiliates and distributors and agents as is and with all faults. The entire risk as to the quality and performance of these MetalCloak products is with the purchaser. Working on your vehicle can be a dangerous activity. If you are unsure of what you are doing, please leave mechanical or safety critical work to a skilled mechanic. We take no responsibility for the incorrect use and/or installation of MetalCloak products.

Section 1: Tools & Notes on Installation



Tools Required: This list is the recommended tools for ease of installation. Other versions of the same tool can be used. For example, Allen Wrenches instead of Allen Drive Sockets.



Socket & Ratchet Wrench

10mm Hex Drive Socket



1/8" Drill
9/32" Drill
7/16" Drill

7/32" Allen Drive Socket or Wrench



Center Punch

9/16" Crescent and/or Box Wrench



HOW TO USE THIS GUIDE: The installation guide contains ALL steps for installation. Please read and follow the instructions in order of each page top to bottom, and left to right.

Jeep Model: Instructions may apply to multiple Jeep models, but are labeled separately where appropriate (i.e. TJ vs. LJ).

Options: Because of the number of component options we offer, these instructions may contain steps that will not match your particular configuration. You can skip these steps.

Images: Pictures are provided and parts are labeled throughout the instructions. Each text box contains guidance based on the pictures next to it. The text will refer to alphabetical labels (A, B, etc.) found in the images.

Installation Notes: Terms may be used in the body of the instructions that you may not be familiar with, if you have any questions feel free to contact us at the number below, or email techhelp@metalcloak.com

QUESTIONS: Any questions or comments about the instructions? Call us at 916-631-8071 M-F 7:00 AM – 5:00 PM PST.

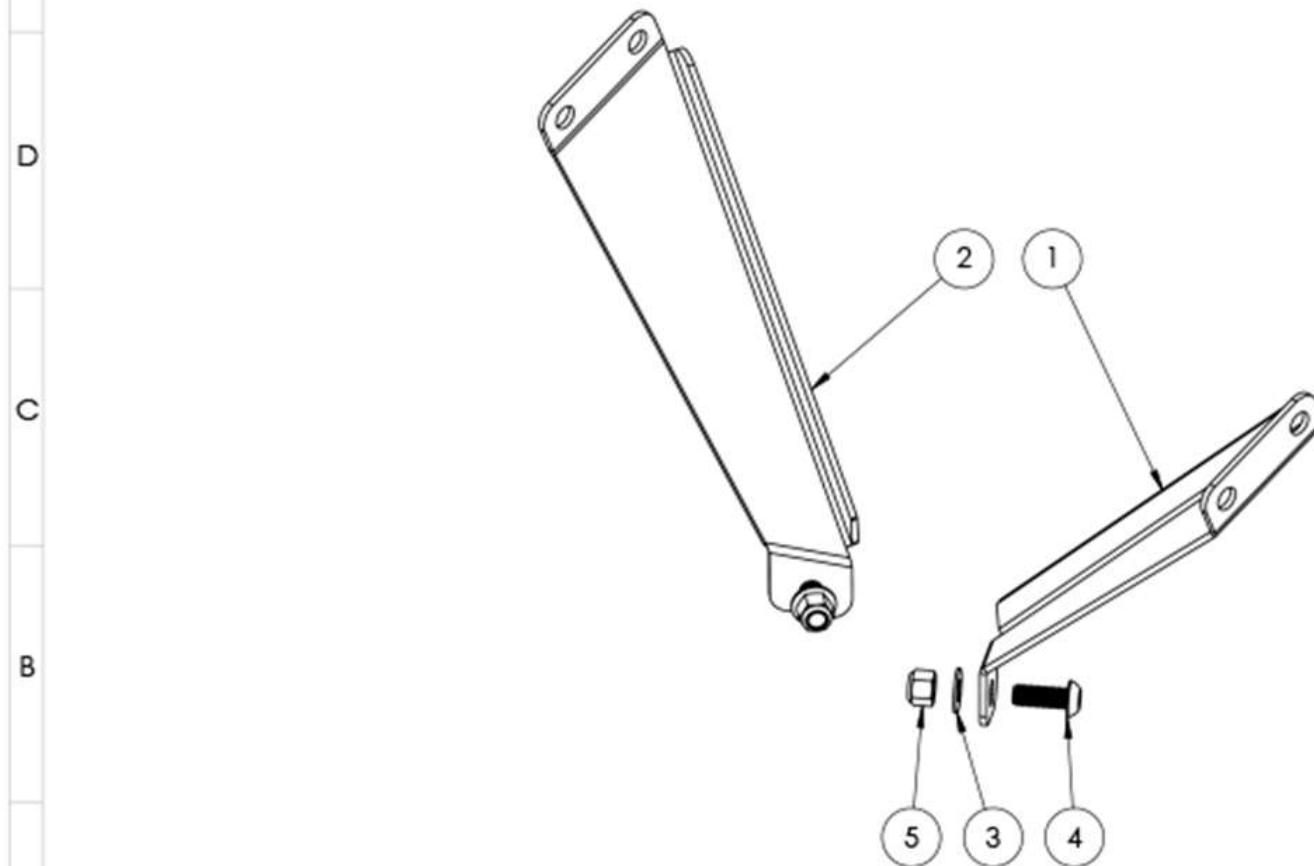
Section 2: Product Components



DC-0001 REV A

SHEET 1 OF 1

ITEM	PART NUMBER/DESCRIPTION	QTY.
1	CP-3010 BRACKET, FRONT FENDER REINFORCEMENT, JK	1
2	CP-3010-P BRACKET, FRONT FENDER REINFORCEMENT, JK	1
3	FA-0009 WASHER, .41ID X .81OD X .051TH 18-8 SS SAE	2
4	FA-0018-BZ SBHCSCREW, .375-16x1.0L GR 8 BLACK ZINC	2
5	FA-0053 HEX NYL LOCKNUT .375-16 .45TH ZNC PLT STL	2



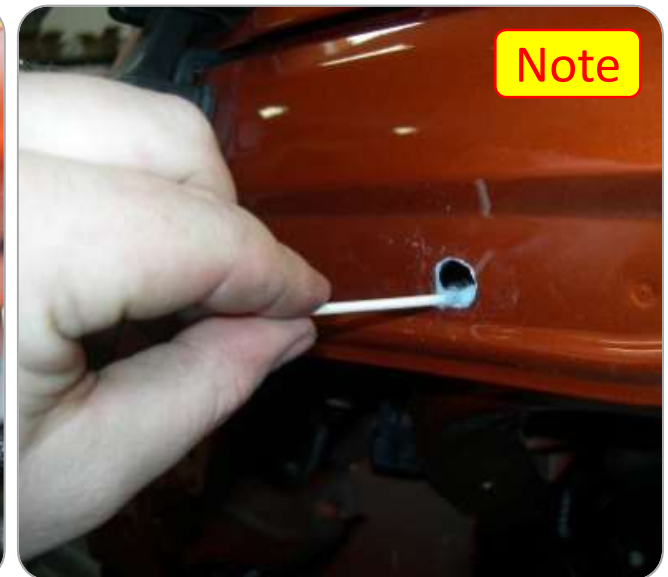
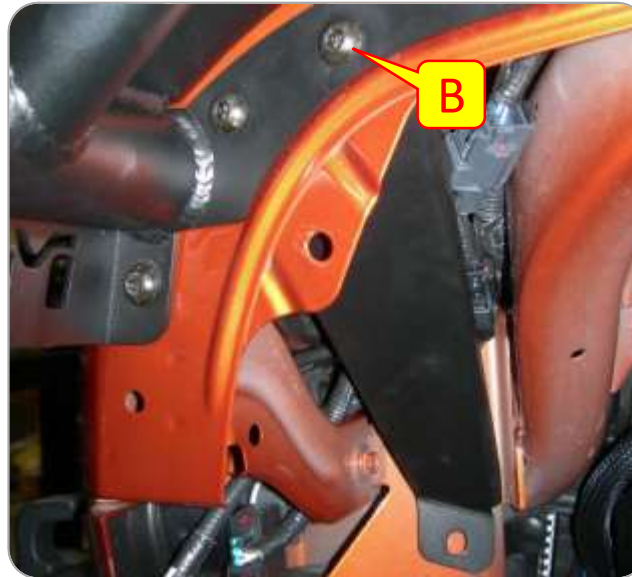
<p>TOLERANCES UNLESS OTHERWISE SPECIFIED</p> <p>DIMENSIONS ARE IN INCHES DECIMAL FRACTION ANGULAR SURFACE</p> <p>ANGLES ARE 90 DEG UNLESS .XX +/- .010 +/- 1/16 +/- 1 DEG 32</p> <p>OTHERWISE SPECIFIED .XXX +/- .005</p>					<p>THE INFORMATION CONTAINED ON THIS DRAWING IS THE EXCLUSIVE PROPERTY OF ARMORED WORKS, LLC. UNAUTHORIZED REPRODUCTION IS PROHIBITED.</p> <p>DO NOT SCALE DRAWING</p>		<p>METAL CLOAK</p> <p>A DIVISION OF ARMORED WORKS, LLC</p>	
<p>CURRENT REVISION [A][BAM][01/23/12] PRODUCTION RELEASE</p>			<p>PART NUMBER 3201 OVERLAND FLARE, BRACKET JK FRONT</p>					
<p>PREVIOUS REVISION []</p>			<p>DESCRIPTION</p>					

Section 3: Installation Instructions



Step 1: Install MetalCloak Fender Grill Reinforcement Bracket

- A. Center punch and drill out the holes that need to be added. Start with a 1/8" drill, step up to 9/32", and then finish with the 7/16" drill. Working up in size will help keep your hole placement centered, and prevent the larger drills from catching and tearing the sheet metal. Also, drill out the stock holes to 7/16".
- B. Use two more bolts to install the Front Fender Bracket (the nuts may be more easily accessed from above by opening the hood).



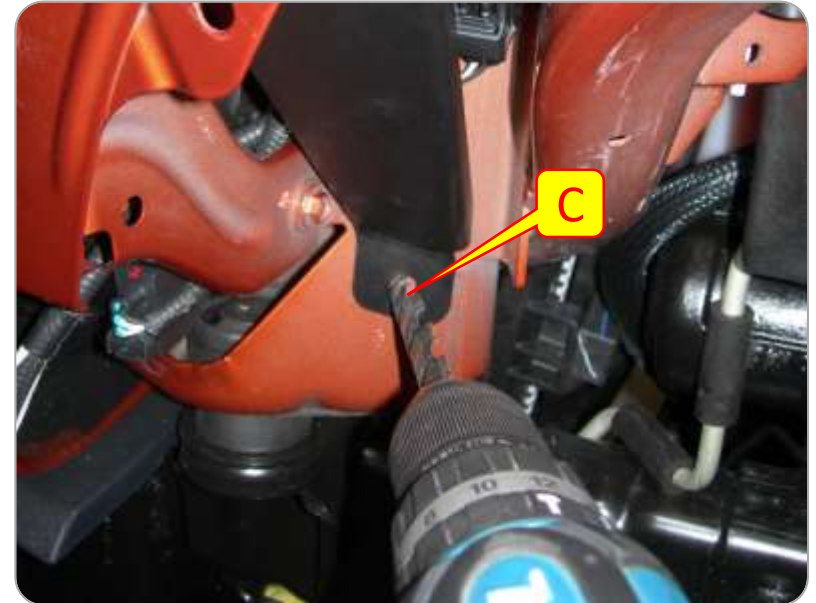
Note: We recommend that you prime or paint all exposed metal, including drilled holes. A 'Q-tip' can be helpful in avoiding overspray.

Section 3: Installation Instructions



Step 1: Install MetalCloak Fender Grill Reinforcement Bracket

- C. Mark the hole that needs to be drilled in the tub mount at the bottom of the Front Fender Bracket. You can use the Bracket as a drill guide, or mark, remove and drill the hole. Install a 3/8"-16 x 1" Socket Button Screw in this location.



Note: Access to the inside of the tub bracket is tight; the blinker bulb comes out easily with a 1/4-turn, and the blinker housing unclips for easy removal, providing greater access for your hands and a wrench to tighten the 3/8" hardware.

