



Installation Instructions



## PRODUCT: JK Overland Rocker Base

REV: B | 06-29-2015 | II-3312-3317

**READ INSTRUCTIONS IN FULL BEFORE INSTALLATION.  
QUESTIONS? CALL 916-631-8071 M-F 7:00 AM – 5:00 PM PST**

The MetalCloak experience includes the ease of installation of our products. We design for most contingencies, but installation may be different based on different Jeep condition, configuration and/or year.

We are continually trying to improve our products and instructions – please help us by providing feedback and pictures if you find any part of the instructions that do not match your particular Jeep or are not easily understandable.

If you have any difficulties at all, please give us a call. Thank you and enjoy your MetalCloak Products!

**IMPORTANT NOTE: We use Stainless Steel Hardware where possible. Therefore, a tube of Silver Anti-seize is provided and should be used on all bolts—only a small amount is needed.**

**WARRANTY INFORMATION:** This article is sold without warranty expressed or implied. No warranty or representation is made as to this products ability to protect the user from injury or death. The user assumes that risk. The effectiveness, warranty and longevity of this equipment are directly related to the manner in which it is INSTALLED, USED and/or MAINTAINED. THE USER ASSUMES ALL RISK. By purchasing this product and opening the packaging, purchasers expressly acknowledge, understand and agree that they take, select and purchase these MetalCloak products from Armored Works, LLC, its affiliates and distributors and agents as is and with all faults. The entire risk as to the quality and performance of these MetalCloak products is with the purchaser. Working on your vehicle can be a dangerous activity. If you are unsure of what you are doing, please leave mechanical or safety critical work to a skilled mechanic. We take no responsibility for the incorrect use and/or installation of MetalCloak products.

## Section 1: Tools & Notes on Installation



**Tools Required:** This list is the recommended tools for ease of installation. Other versions of the same tool can be used. For example, Allen Wrenches instead of Allen Drive Sockets.



Socket & Ratchet Wrench

7/32" Allen Drive Socket



3/8" Drill Bit  
17/32" Drill Bit

9/16" Hex Drive Socket  
10mm Hex Drive Sockets  
13mm Hex Drive Sockets



Center Punch

9/16" Crescent and/or Box Wrench



**HOW TO USE THIS GUIDE:** The installation guide contains ALL steps for installation. Please read and follow the instructions in order of each page top to bottom, and left to right.

**Jeep Model:** Instructions may apply to multiple Jeep models, but are labeled separately where appropriate (i.e. TJ vs. LJ).

**Options:** Because of the number of component options we offer, these instructions may contain steps that will not match your particular configuration. You can skip these steps.

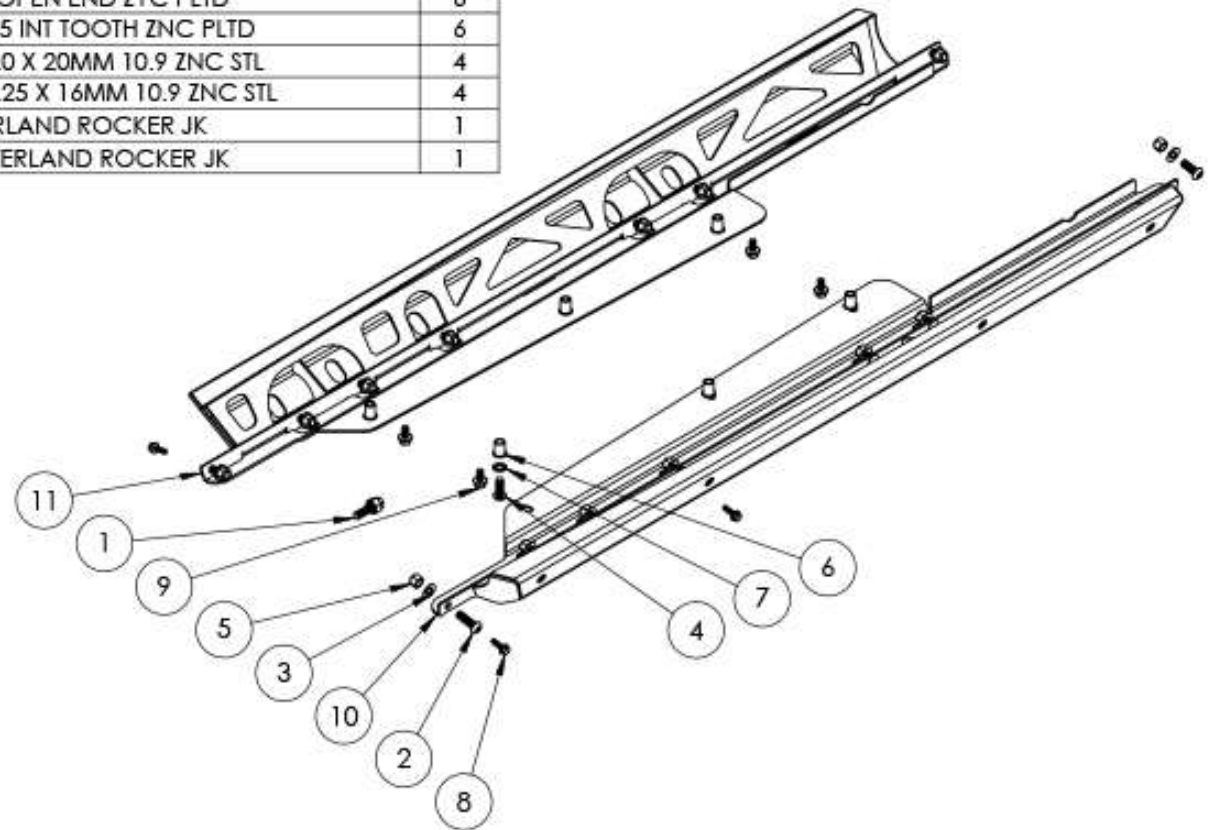
**Images:** Pictures are provided and parts are labeled throughout the instructions. Each text box contains guidance based on the pictures next to it. The text will refer to alphabetical labels (A, B, etc.) found in the images.

**Installation Notes:** Terms may be used in the body of the instructions that you may not be familiar with, if you have any questions feel free to contact us at the number below, or email [techhelp@metalcloak.com](mailto:techhelp@metalcloak.com)

**QUESTIONS:** Any questions or comments about the instructions? Call us at 916-631-8071 M-F 7:00 AM – 5:00 PM PST.

## Section 2: Product Components

ITEM	PART NUMBER/DESCRIPTION	It/QTY
1	CP-0079 INSTALLATION TOOL, .375-16 RIVET NUT	1
2	FA-0005-BZ SBHCSCREW, .375-16x1.25L GR 8 BLACK ZINC	2
3	FA-0009 WASHER, .41ID X .81OD X .051TH 18-8 SS SAE	14
4	FA-0018-BZ SBHCSCREW, .375-16x1.0L GR 8 BLACK ZINC	18
5	FA-0053 HEX NYL LOCKNUT .375-16 .45TH ZNC PLT STL	14
6	FA-0057 RIVET NUT, .375-16 OPEN END ZYC PLTD	6
7	FA-0059 LOCK WASHER, .375 INT TOOTH ZNC PLTD	6
8	FA-0116 SFHCSCREW, M6-1.0 X 20MM 10.9 ZNC STL	4
9	FA-0117 SFHCSCREW, M8-1.25 X 16MM 10.9 ZNC STL	4
10	WM-3020 WELDMENT, OVERLAND ROCKER JK	1
11	WM-3020-P WELDMENT, OVERLAND ROCKER JK	1



## Section 3: Installation Instructions

### Step 1: Preparation for Overland Rocker Base

- A. Remove factory applied stickers/coverings from underside of Jeep.
- B. Remove the front and rear fender bolts (10mm head).
- C. Drill the non-threaded existing holes out to 3/8" size.

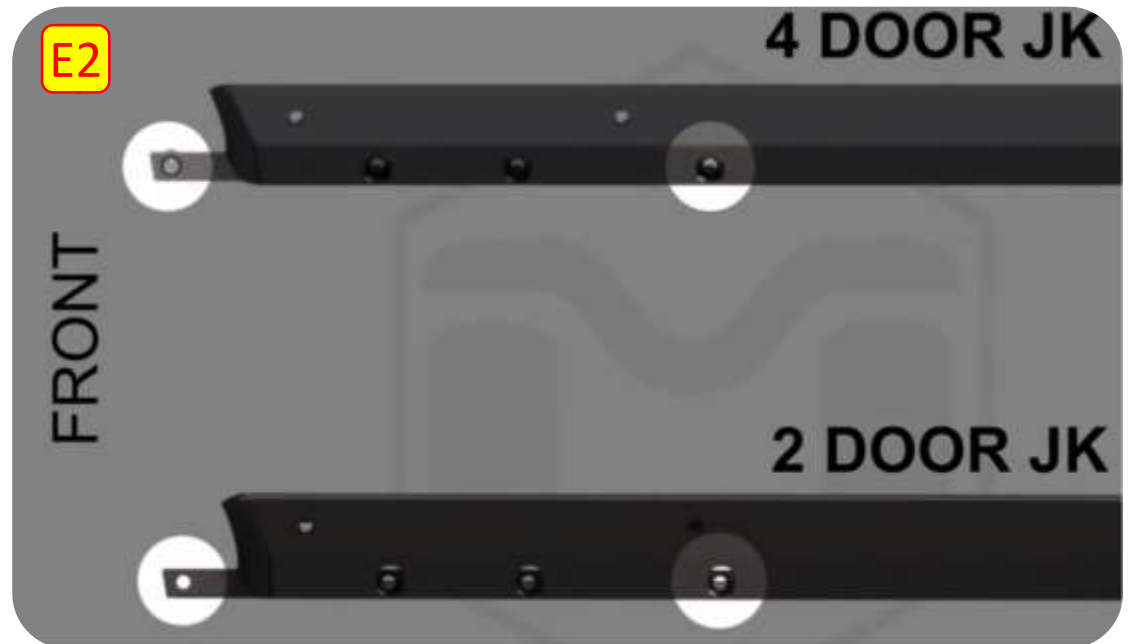


## Section 3: Installation Instructions

### Optional Step: Hardware Upgrade

**Note:** You may use the factory bolts and weld nuts in these locations or remove the welded nut and drill out the holes for the larger stronger hardware that is included. This is an Optional step but is recommended for optimal strength.

- D. Temporarily install bolt in drill out hole to keep sheet metal in place.
- E. If choosing to upgrade the factory weld nut locations. Drill Factory holes out to 3/8" (final size).
- F. Use a cut off wheel to remove the factory nuts on the backside of the sheet metal.
- G. Remove temporary bolt that is holding the sheet metal in place.

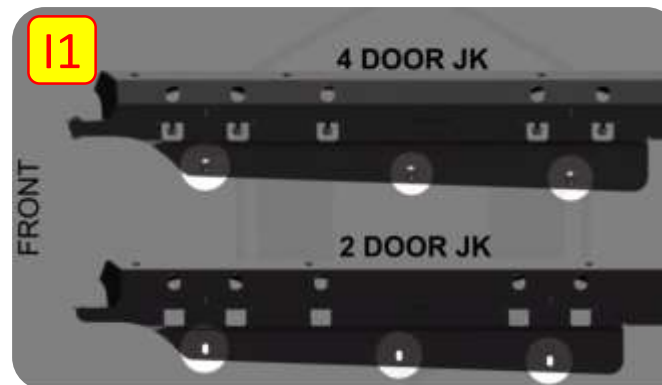




## Section 3: Installation Instructions

### Step 2: Overland Rocker Base Installation

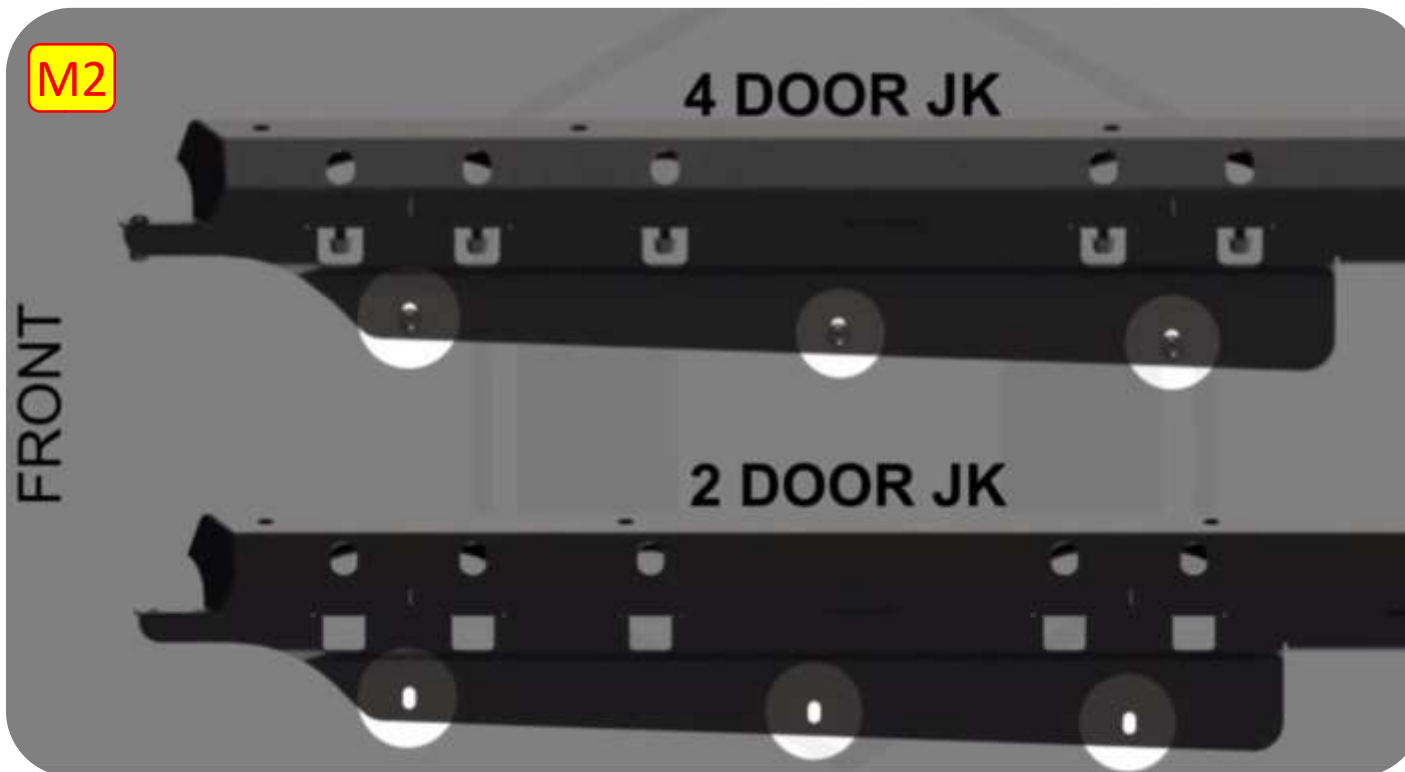
- H. Place rocker on jeep and a few bolts to hold rocker in place. The bolts will be able to grab a bit of sheet metal without using nuts.
- I. Mark drilling locations on side and bottom of jeep.
- J. Center punch all marked drill location.
- K. Remove bolt and overland base.



## Section 3: Installation Instructions

### Step 3: Overland Rocker Base Installation

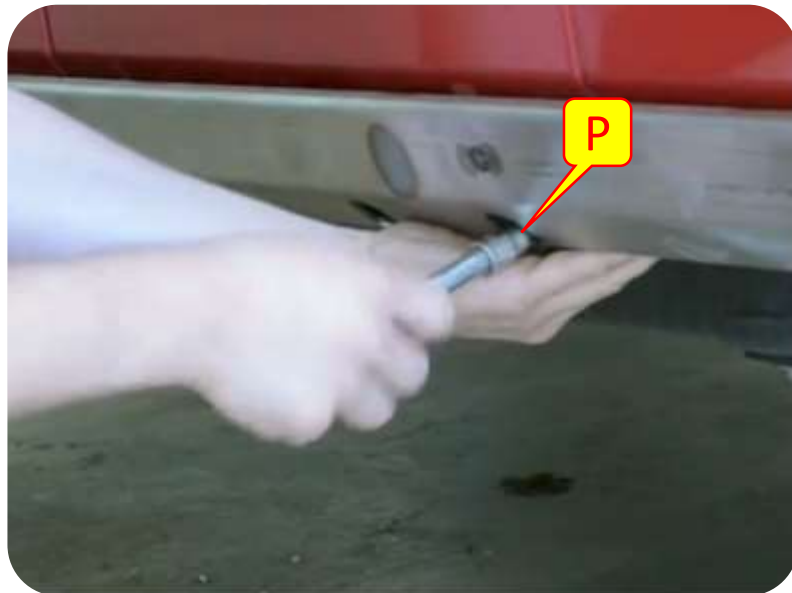
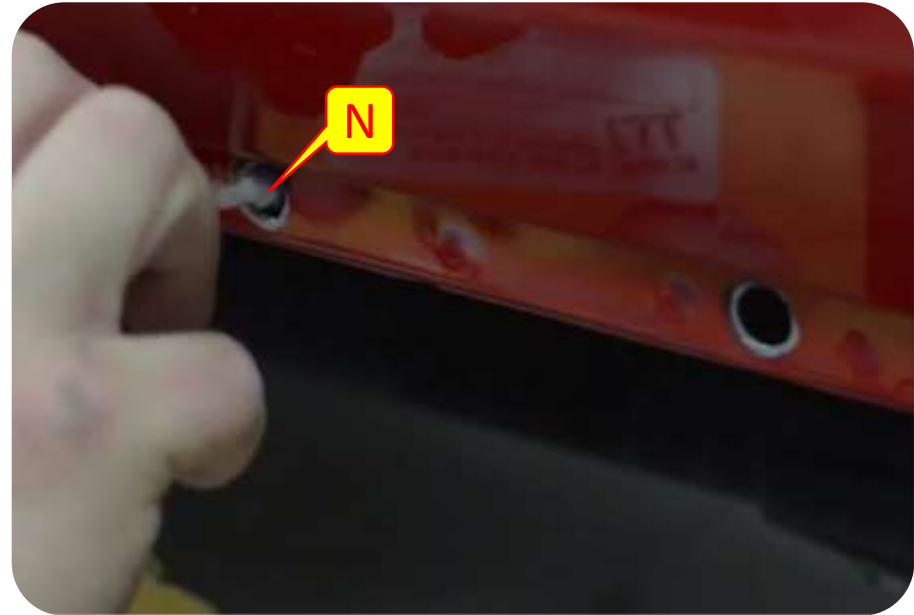
- L. Drill pilot holes in marked and punched drilling locations using the 1/8" drill bit.
- M. Use 17/32" bit for final drill hole size only for rivet nuts.



## Section 3: Installation Instructions

### Step 4: Overland Rocker Base Installation

- N. Apply sealant to all drilled locations.
- O. Install rivet nuts
- P. Attach rocker base with only the bolts, we will install the backing nuts after all the bolts are in place.





## Section 3: Installation Instructions



### Step 5: Overland Rocker Base Installation

**Optional Install Tip:** Apply masking tape to the jaws of your open end wrench to keep the nut from slipping out.

Q. Install all backing nuts.

R. Tighten all hardware on Overland Rocker Base.

