



Installation Instructions



## PRODUCT: **SportGate Tire Carrier Tire Mounts**

REV: A | 09/08/2020 | II-3953-3954

**READ INSTRUCTIONS IN FULL BEFORE INSTALLATION.**

**QUESTIONS? CALL 916-631-8071 M-F 7:00 AM – 5:00 PM PST**

The MetalCloak experience includes the ease of installation of our products. We design for most contingencies, but installation may be different based on different Jeep condition, configuration and/or year.

We are continually trying to improve our products and instructions – please help us by providing feedback and pictures if you find any part of the instructions that do not match your particular Jeep or are not easily understandable.

If you have any difficulties at all, please give us a call. Thank you and enjoy your MetalCloak Products!

**IMPORTANT NOTE: We use Stainless Steel Hardware where possible. Therefore, a tube of Silver Anti-seize is provided and should be used on all bolts—only a small amount is needed.**

**WARRANTY INFORMATION:** This article is sold without warranty expressed or implied. No warranty or representation is made as to this products ability to protect the user from injury or death. The user assumes that risk. The effectiveness, warranty and longevity of this equipment are directly related to the manner in which it is INSTALLED, USED and/or MAINTAINED. THE USER ASSUMES ALL RISK. By purchasing this product and opening the packaging, purchasers expressly acknowledge, understand and agree that they take, select and purchase these MetalCloak products from Armored Works, LLC, its affiliates and distributors and agents as is and with all faults. The entire risk as to the quality and performance of these MetalCloak products is with the purchaser. Working on your vehicle can be a dangerous activity. If you are unsure of what you are doing, please leave mechanical or safety critical work to a skilled mechanic. We take no responsibility for the incorrect use and/or installation of MetalCloak products.

## Section 1: Tools & Notes on Installation



**Tools Required:** This list is the recommended tools for ease of installation. Other versions of the same tool can be used. For example, Allen Wrenches instead of Allen Drive Sockets.



Socket & Ratchet Wrench

9/16" Socket/Wrench



**HOW TO USE THIS GUIDE:** The installation guide contains ALL steps for installation. Please read and follow the instructions in order of each page top to bottom, and left to right.

**Jeep Model:** Instructions may apply to multiple Jeep models, but are labeled separately where appropriate (i.e. TJ vs. LJ).

**Options:** Because of the number of component options we offer, these instructions may contain steps that will not match your particular configuration. You can skip these steps.

**Images:** Pictures are provided and parts are labeled throughout the instructions. Each text box contains guidance based on the pictures next to it. The text will refer to alphabetical labels (A, B, etc.) found in the images.

**Installation Notes:** Terms may be used in the body of the instructions that you may not be familiar with, if you have any questions feel free to contact us at the number below, or email [techhelp@metalcloak.com](mailto:techhelp@metalcloak.com)

**QUESTIONS:** Any questions or comments about the instructions? Call us at 916-631-8071 M-F 7:00 AM – 5:00 PM PST

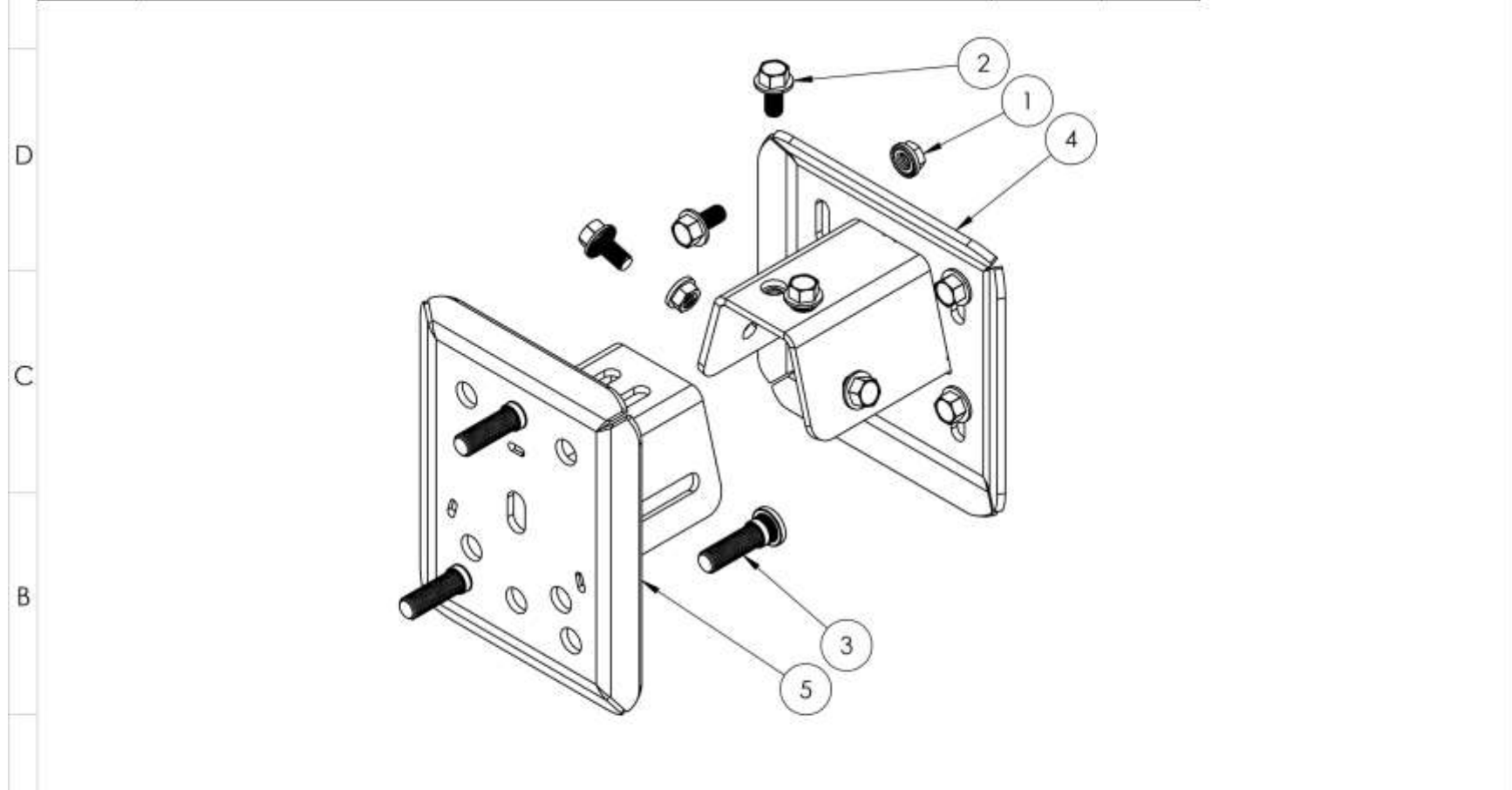
# Section 1: Tools & Notes on Installation



DC-0001 REV A

SHEET 1 OF 1

ITEM	PART NUMBER/DESCRIPTION	QTY.	BIN
1	FS-06053 SERRATED FLANGE LOCK NUT, 0.38-16 X 0.34H STL GF ZINC	6	A26
2	FS-06104 HHCS SERRATED FLANGE, 0.38-16 X 0.75L STL G5 ZINC	8	B34
3	FS-08062 WHEEL STUD, 0.5-20 X 1.63L STL G8 ZINC	3	B27
4	WM-3931 WELDMENT, VERTICAL ADJUSTMENT BRACKET, JK	1	
5	WM-3932 WELDMENT, HORIZONTAL ADJUSTMENT BRACKET, JK	1	



THE INFORMATION CONTAINED ON THIS DRAWING IS THE EXCLUSIVE PROPERTY OF ARMORED WORKS, LLC. UNAUTHORIZED REPRODUCTION IS PROHIBITED.  
**DO NOT SCALE DRAWING**



**PART NUMBER/DESCRIPTION**  
 3953 TIRE CARRIER MOUNT, 4.78 TO 6.45 MOUNT

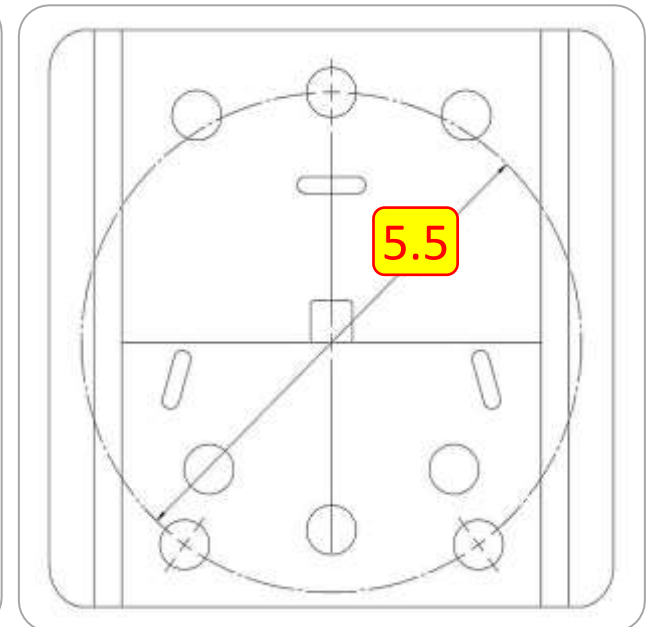
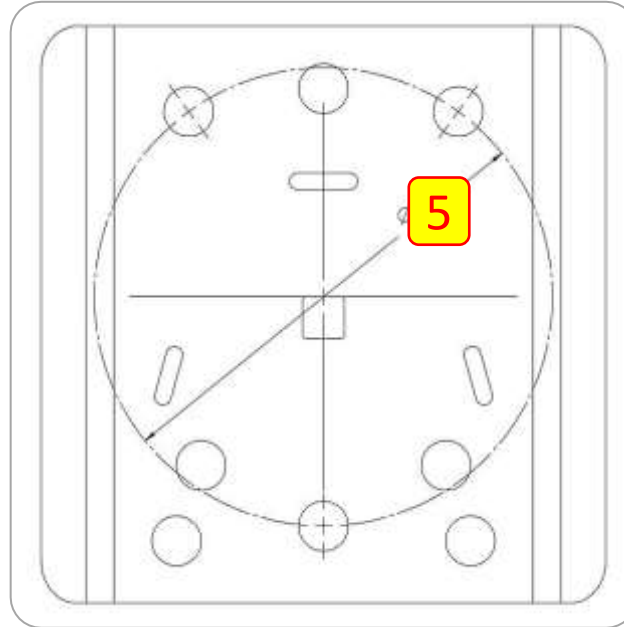
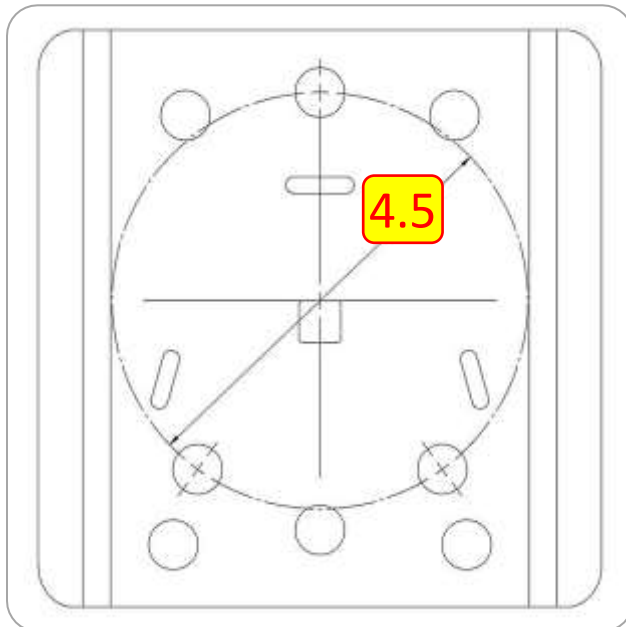
## Section 2: Installation Instructions

### Step 1: Wheel Studs



A

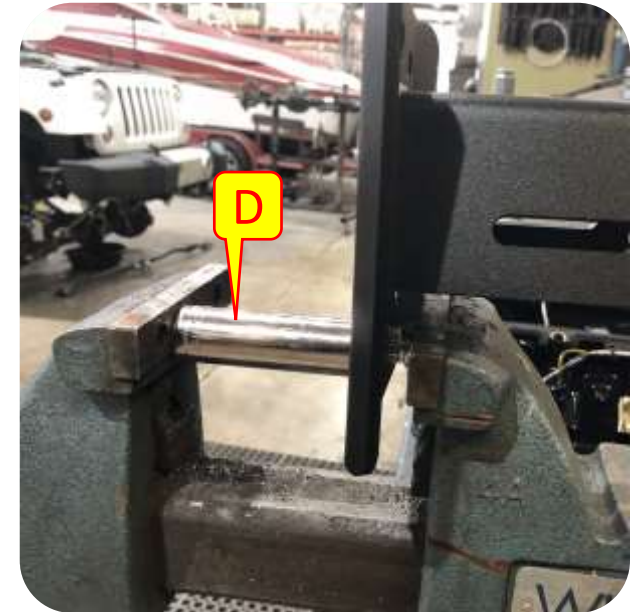
- A. Press the Wheel Studs (yellow) into the Horizontal Adjustment Bracket (orange) prior to installation. The images provided below show which holes are intended for the most common bolt patterns.



## Section 2: Installation Instructions

### Step 1: Wheel Studs

- B. To press the wheel stud into place. Place the wheel stud into the Adjustment bracket in the chosen wheelbase location.
- C. Place a long socket on the other end of the adjustment bracket. Make sure the socket has enough room for the wheel stud to be pressed in fully.
- D. Place the wheel stud and socket inside a vice and tighten the vice until the wheel stud is completely pressed in. repeat process for remaining wheel studs.



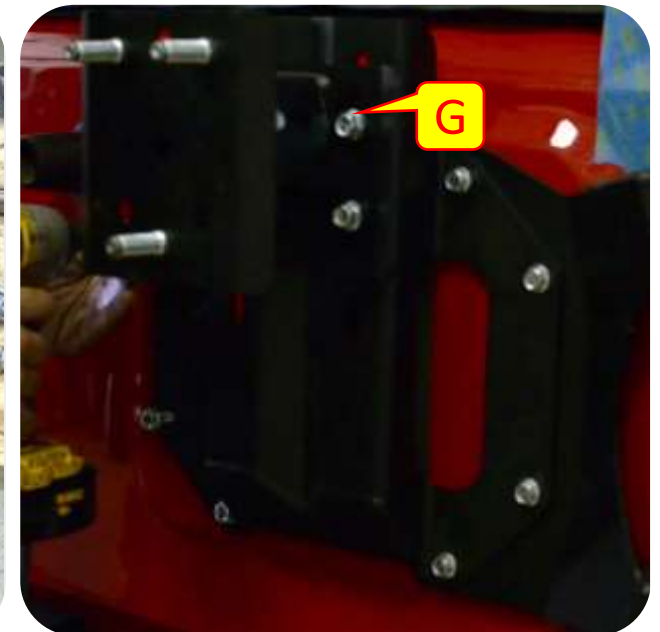
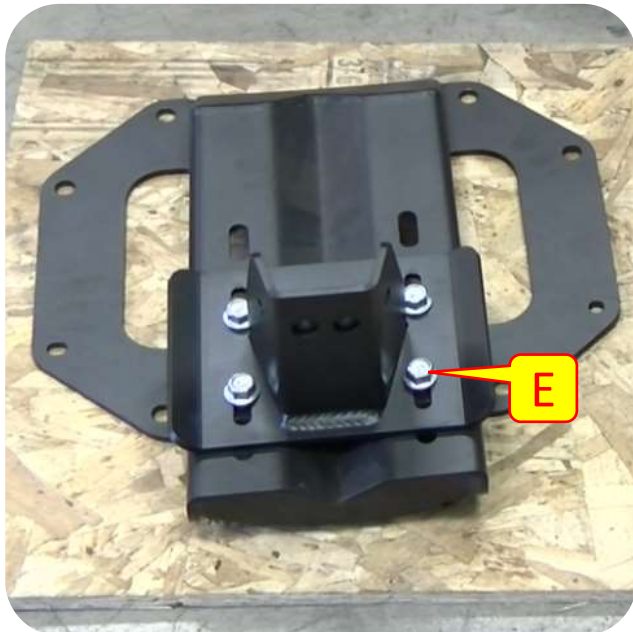


## Section 2: Installation Instructions



### Step 2: Adjustment Bracket Installation

- E. Install the vertical adjustment bracket onto the tire carrier tower using the provided bolts and nuts hand tight.
- F. Using the provided bolts attach the horizontal adjustment bracket to vertical adjustment bracket hand tight.
- G. Install the tire carrier tower to the tail gate arm using a 13mm socket and the provided bolts.
- H. Mount tire and adjust the backspacing and height of the mount to what works for your tire.



## Section 2: Installation Instructions

### Step 2: Adjustment Bracket Installation

- I. Remove Tire and tighten all adjustment bracket hardware.
- J. Reinstall Tire.

