



PRODUCT: JL UnderCloak System, Non E-Torque 2.0L Motor

REV: A | 01-06-2020 | II-6367

READ INSTRUCTIONS IN FULL BEFORE INSTALLATION.

QUESTIONS? CALL 916-631-8071 M-F 7:00 AM – 5:00 PM PST

The MetalCloak experience includes the ease of installation of our products. We design for most contingencies, but installation may be different based on different Jeep condition, configuration and/or year.

We are continually trying to improve our products and instructions – please help us by providing feedback and pictures if you find any part of the instructions that do not match your particular Jeep or are not easily understandable.

If you have any difficulties at all, please give us a call. Thank you and enjoy your MetalCloak Products!

IMPORTANT NOTE: We use Stainless Steel Hardware where possible. Therefore, a tube of Silver Anti-seize is provided and should be used on all bolts—only a small amount is needed.

WARRANTY INFORMATION: This article is sold without warranty expressed or implied. No warranty or representation is made as to this products ability to protect the user from injury or death. The user assumes that risk. The effectiveness, warranty and longevity of this equipment are directly related to the manner in which it is INSTALLED, USED and/or MAINTAINED. THE USER ASSUMES ALL RISK. By purchasing this product and opening the packaging, purchasers expressly acknowledge, understand and agree that they take, select and purchase these MetalCloak products from Armored Works, LLC, its affiliates and distributors and agents as is and with all faults. The entire risk as to the quality and performance of these MetalCloak products is with the purchaser. Working on your vehicle can be a dangerous activity. If you are unsure of what you are doing, please leave mechanical or safety critical work to a skilled mechanic. We take no responsibility for the incorrect use and/or installation of MetalCloak products.

Section 1: Tools & Notes on Installation



Tools Required: This list is the recommended tools for ease of installation. Other versions of the same tool can be used. For example, Allen Wrenches instead of Allen Drive Sockets.



Socket & Ratchet Wrench

13mm Socket/Wrench
18mm Socket/Wrench
3/4" Socket/Wrench
9/16" Socket/Wrench



8mm Allen Socket or wrench
7/32" Allen Socket or wrench

HOW TO USE THIS GUIDE: The installation guide contains ALL steps for installation. Please read and follow the instructions in order of each page top to bottom and left to right.

Jeep Model: Instructions may apply to multiple Jeep models but are labeled separately where appropriate (i.e. TJ vs. LJ).

Options: Because of the number of component options we offer, these instructions may contain steps that will not match your configuration. You can skip these steps.

Images: Pictures are provided, and parts are labeled throughout the instructions. Each text box contains guidance based on the pictures next to it. The text will refer to alphabetical labels (A, B, etc.) found in the images.

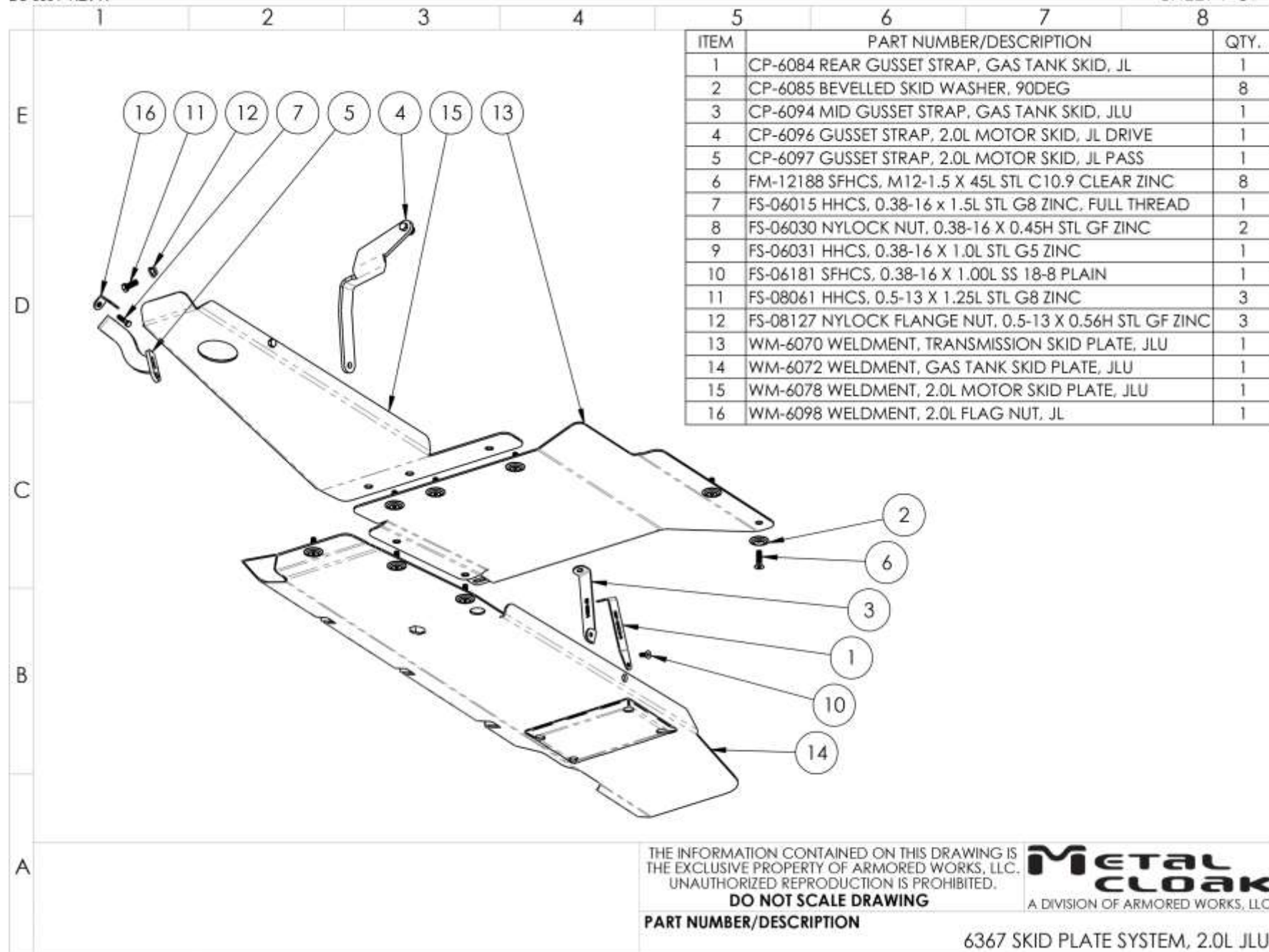
Installation Notes: Terms may be used in the body of the instructions that you may not be familiar with, if you have any questions feel free to contact us at the number below, or email techhelp@metalcloak.com

QUESTIONS: Any questions or comments about the instructions? Call us at 916-631-8071 M-F 7:00 AM – 5:00 PM PST.

Section 2: Product Components

DC-0001 REV A

SHEET 1 OF 1



THE INFORMATION CONTAINED ON THIS DRAWING IS THE EXCLUSIVE PROPERTY OF ARMORED WORKS, LLC. UNAUTHORIZED REPRODUCTION IS PROHIBITED.
DO NOT SCALE DRAWING
PART NUMBER/DESCRIPTION

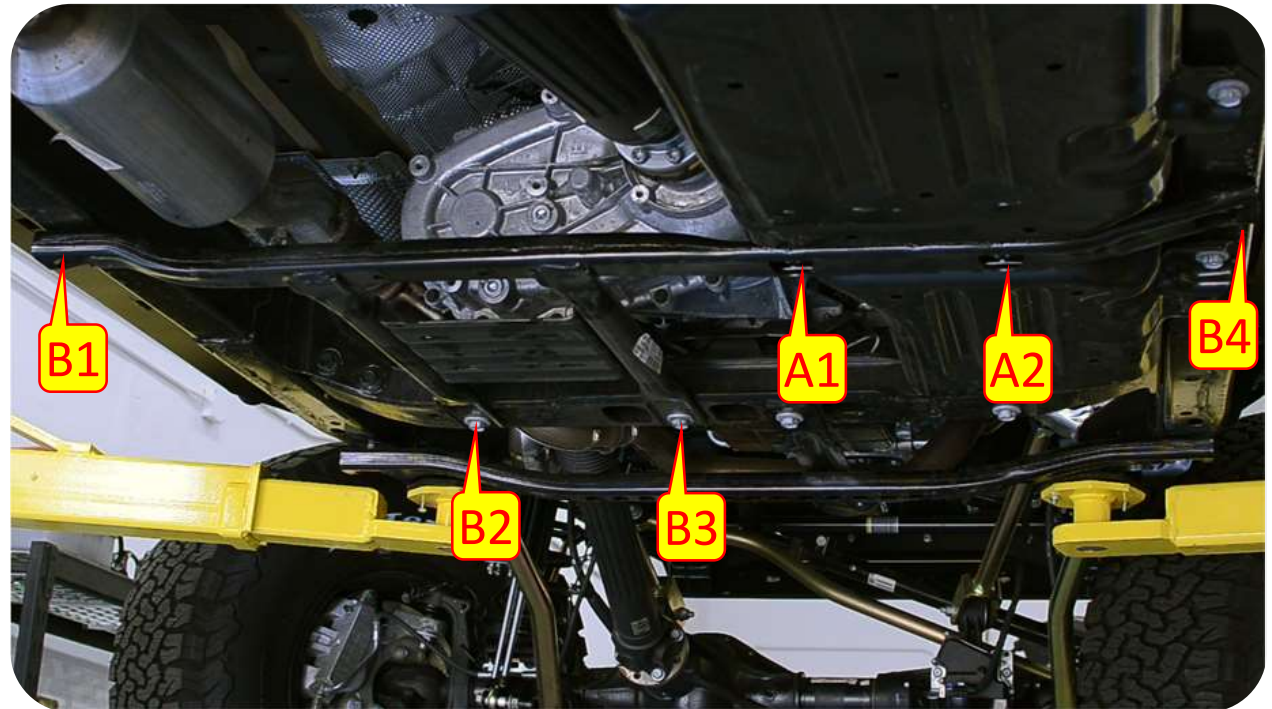
Metal Cloak
 A DIVISION OF ARMORED WORKS, LLC

6367 SKID PLATE SYSTEM, 2.0L JLU

Section 3: Installation Instructions

Step 1: Removing Stock Skid Plates

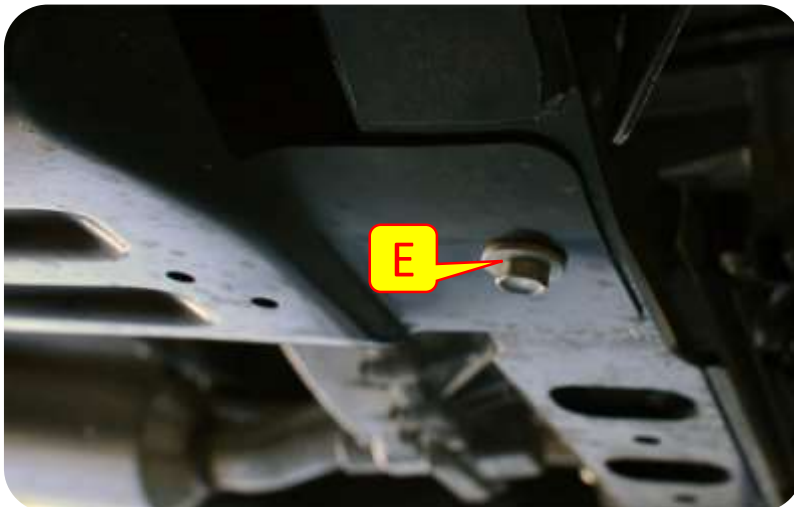
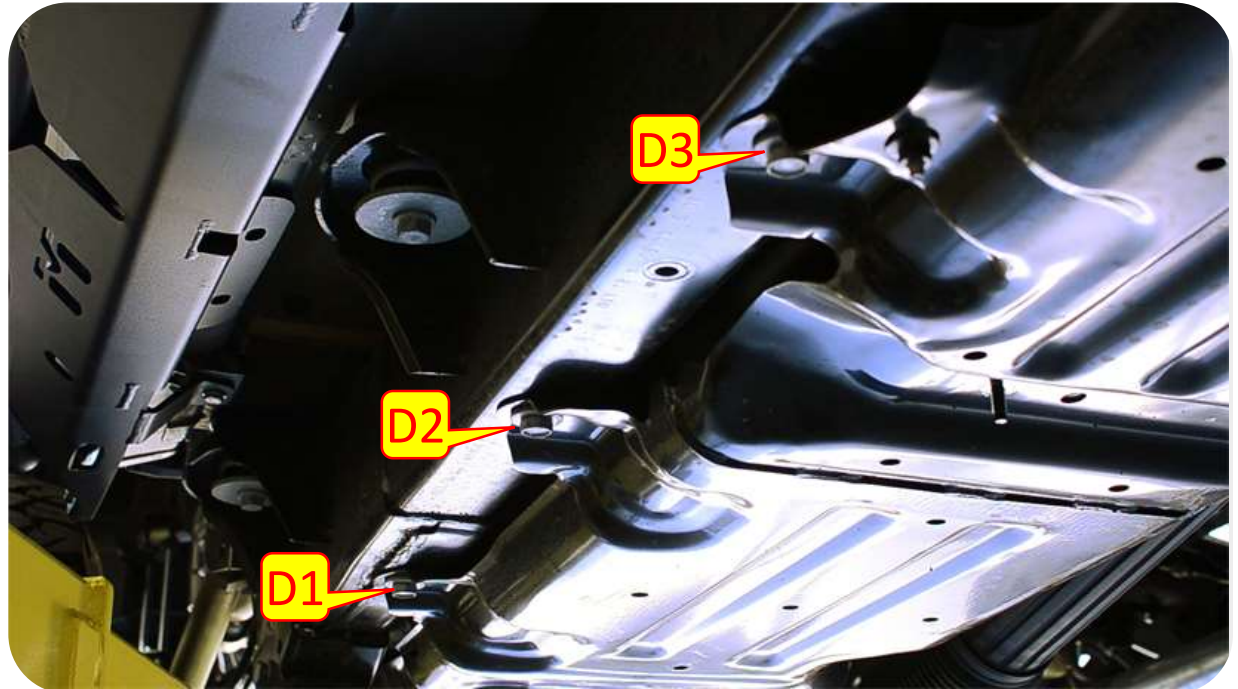
- A. Using a 13mm Socket disconnect the two nuts on the stock transfer skid. **Save All Hardware.**
- B. Using a 18mm Socket disconnect the four bolts on the stock transfer skid (*the hardware will not be reused*).
- C. Using a 18mm socket disconnect the three bolts on the stock transmission skid (*the hardware will not be reused*).



Section 3: Installation Instructions

Step 1: Removing Stock Skid Plates

- D. Using a 18mm socket disconnect the three bolts on the stock gas tank skid at the frame. **Save all Hardware.**
- E. Disconnect the stock gas tank skid bolt from the cross member using a 18mm socket (*This hardware will not be reused*).
- F. Using the provided hardware and an 8MM Allen wrench install the transfer case skid plate snug. Do not fully tighten.



Section 3: Installation Instructions

Step 2: Installing the JL Transmission Skid

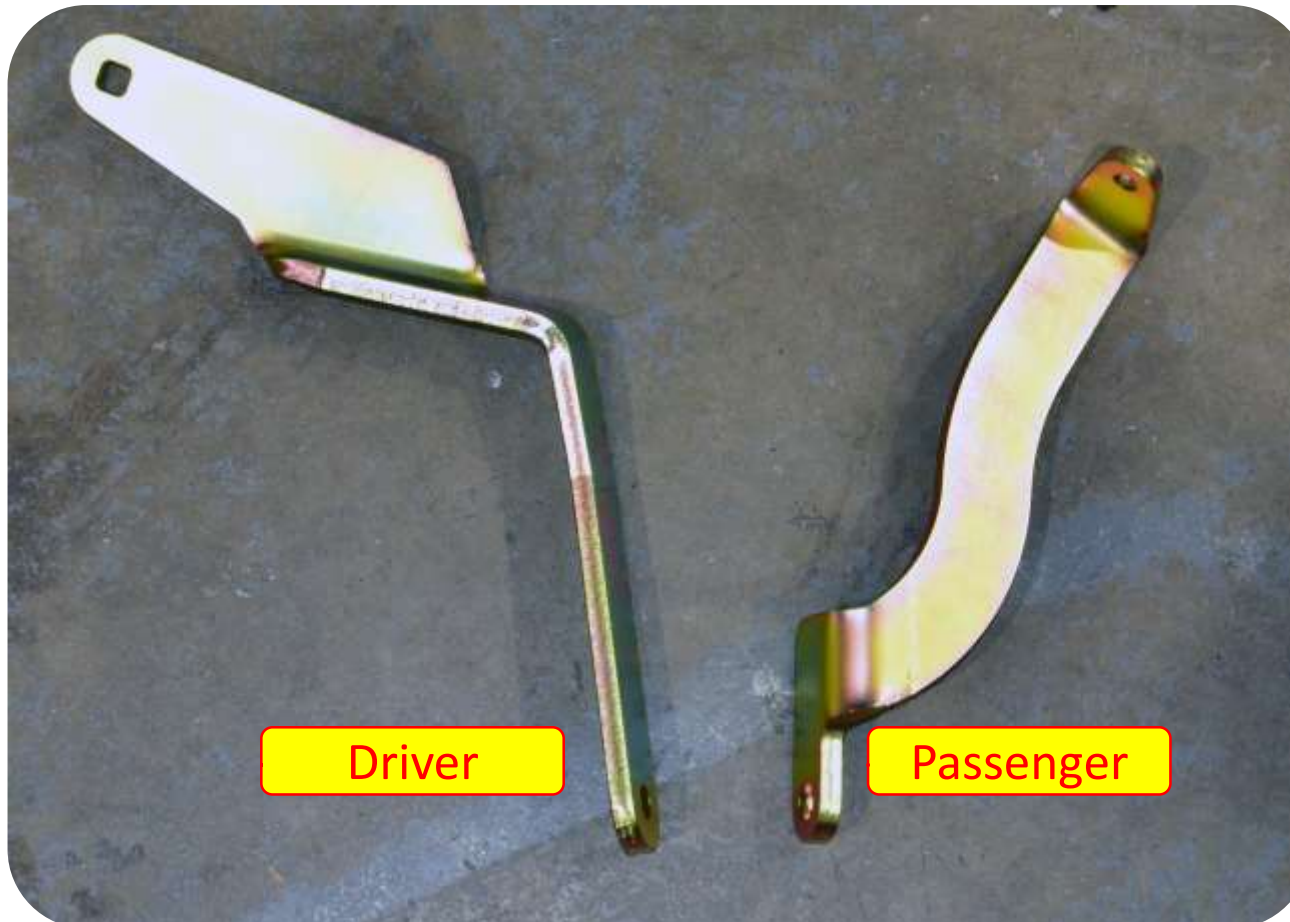
- G. Fully tighten both bolts at the frame using an 8mm wrench.
- H. Disconnect the three counter sunk bolts on the transfer case skid plate on the crossmember in preparation for installing the motor skid plate.



Section 3: Installation Instructions

Step 3: Installing the JL Motor Skid

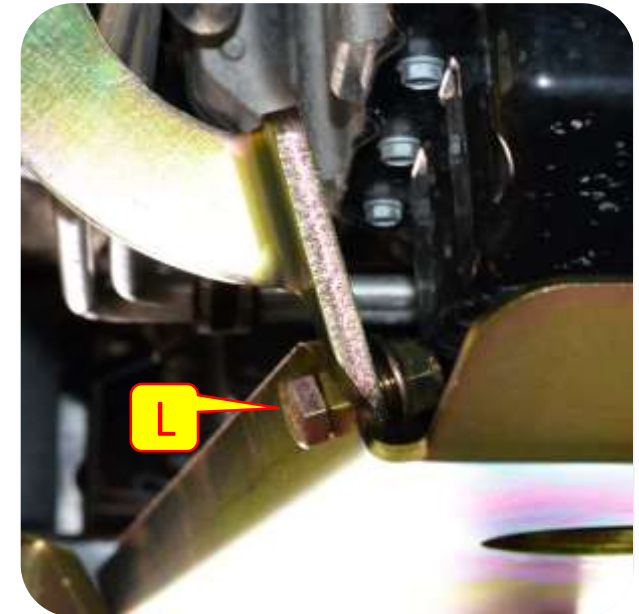
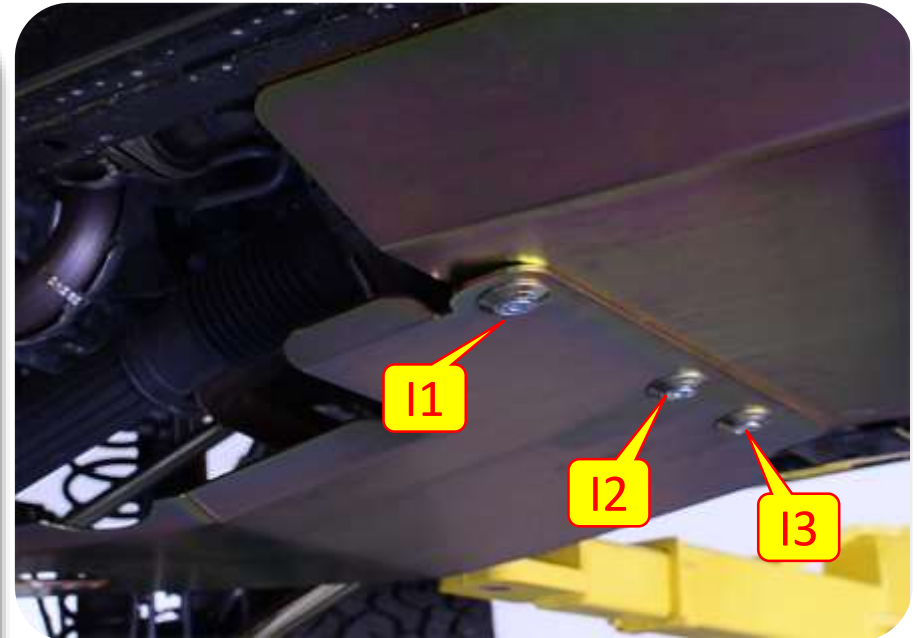
Important Note: When installing the front motor mount brackets the bracket with the wider end will be installed on the driver side and the smaller curved bracket will be installed on the passenger side.



Section 3: Installation Instructions

Step 3: Installing the JL Motor Skid

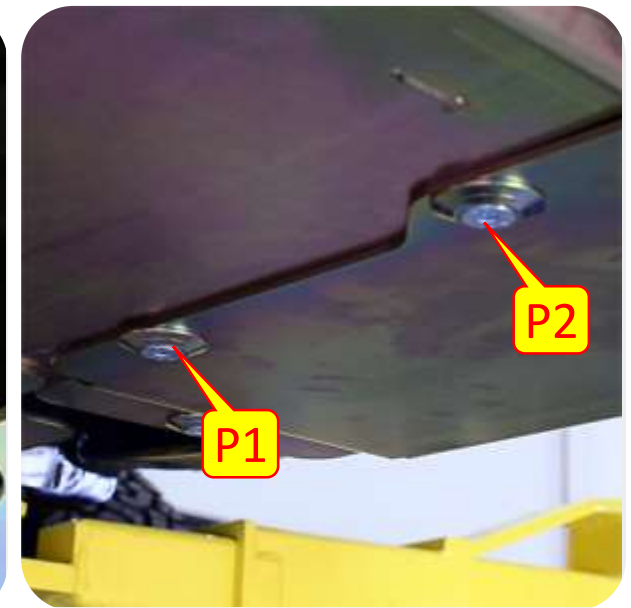
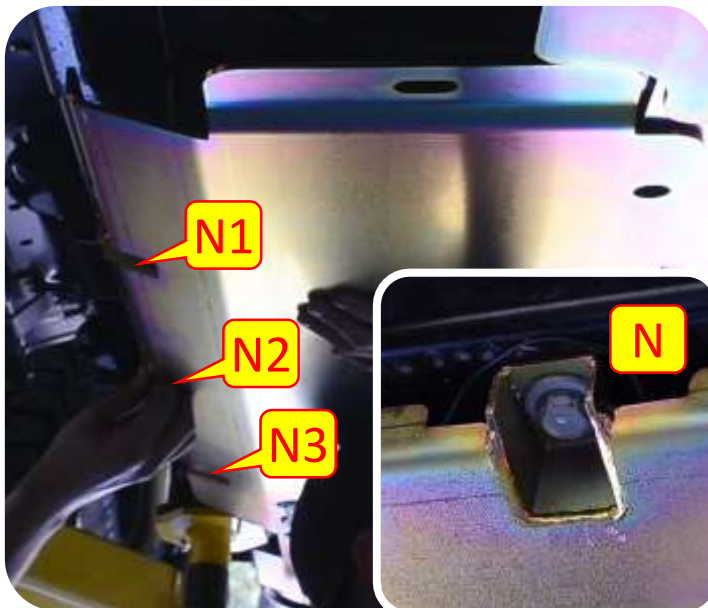
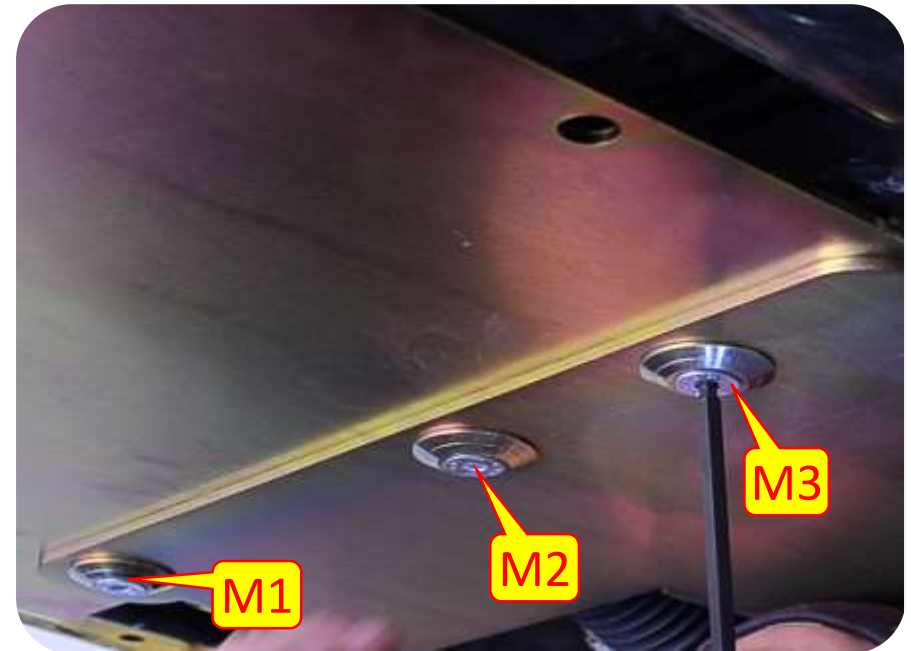
- I. Using an 8mm allen wrench attach the motor skid plate to the transfer case skid plate using the counter sunk bolts.
- J. Using the flag nut and provided bolt loosely install the passenger motor bracket to the Jeep frame (tighten with a 9/16 socket wrench).
- K. Using the provided hardware install the driver motor bracket to the frame making sure the nut is on the inside of the frame bracket.
- L. Install the motor brackets to the motor skid snug by using a 3/4" socket and wrench (*make sure the brackets are located on the inside of the motor skid*).



Section 3: Installation Instructions

Step 4: Installing the JL Gas Tank Skid

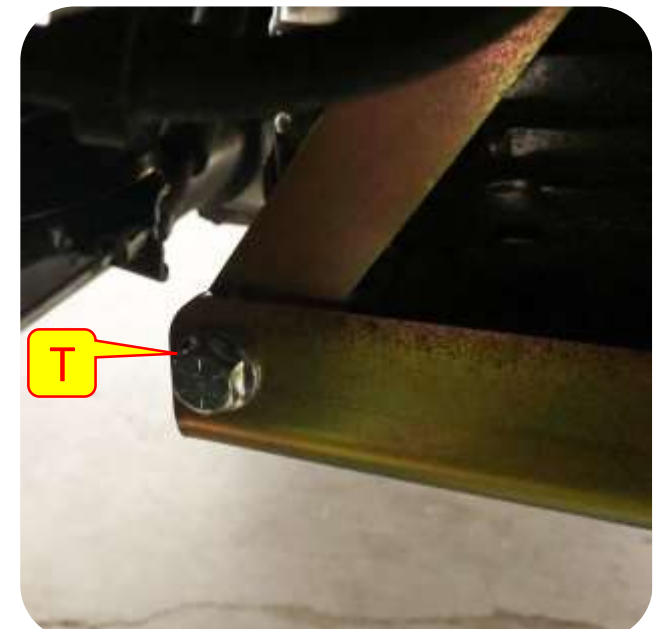
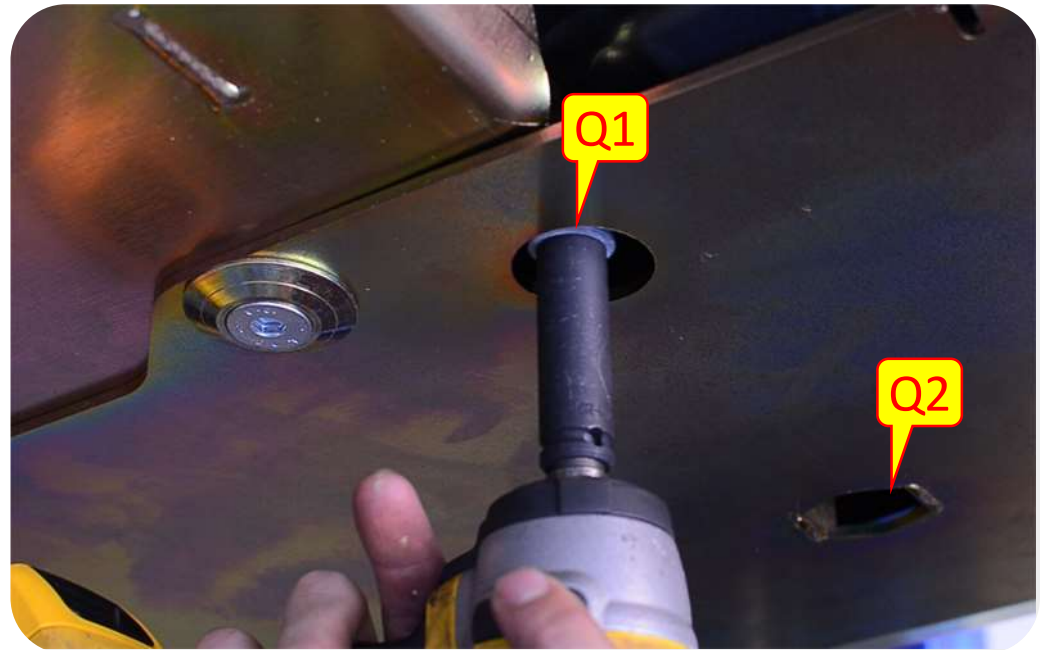
- M. Using an 8mm allen wrench fully tighten the motor skid/transfer skid bolts.
- N. Attach the gas tank skid plate to the frame with the stock hardware hand tight.
- O. Using an 8mm allen wrench attach the gas tank skid to the cross member.
- P. Using an 8mm allen wrench attach the gas tank skid to the transfer case skid.



Section 3: Installation Instructions

Step 4: Installing the JL Gas Tank Skid

- Q. Using a 13mm socket reinstall the two stock nuts from the stock transfer skid.
- R. Using a 18mm socket disconnect the stock gas tank skid rear frame bolt. Save hardware.
- S. Using the stock bolt install the rear gas tank skid bracket to the frame hand tight.
- T. Using the provided bolt install the gas tank skid bracket to the gas tank skid and tighten with a 9/16 socket and wrench.



Section 3: Installation Instructions



Step 4: Installing the JL Gas Tank Skid

- U. Using a 18mm socket install the gas tank skid driver side gusset strap to the gas tank.
- V. Using the provided countersunk bolt and 7/32" allen wrench tighten the bracket to the inside of the gas tank skid plate.
- W. Tighten all hardware.

