



Product: JL Front Differential Cover & Skid Plate

REV: A | 10-30-2019 | II-6375

READ INSTRUCTIONS IN FULL BEFORE INSTALLATION.
QUESTIONS? CALL 916-631-8071 M-F 7:00 AM – 5:00 PM PST

The MetalCloak experience includes the ease of installation of our products. We design for most contingencies, but installation may be different based on different Jeep condition, configuration and/or year.

We are continually trying to improve our products and instructions – please help us by providing feedback and pictures if you find any part of the instructions that do not match your particular Jeep or are not easily understandable.

If you have any difficulties at all, please give us a call. Thank you and enjoy your MetalCloak Products!

IMPORTANT NOTE: We use Stainless Steel Hardware where possible. Therefore, a tube of Silver Anti-seize is provided and should be used on all bolts—only a small amount is needed.

WARRANTY INFORMATION: This article is sold without warranty expressed or implied. No warranty or representation is made as to this products ability to protect the user from injury or death. The user assumes that risk. The effectiveness, warranty and longevity of this equipment are directly related to the manner in which it is INSTALLED, USED and/or MAINTAINED. THE USER ASSUMES ALL RISK. By purchasing this product and opening the packaging, purchasers expressly acknowledge, understand and agree that they take, select and purchase these MetalCloak products from Armored Works, LLC, its affiliates and distributors and agents as is and with all faults. The entire risk as to the quality and performance of these MetalCloak products is with the purchaser. Working on your vehicle can be a dangerous activity. If you are unsure of what you are doing, please leave mechanical or safety critical work to a skilled mechanic. We take no responsibility for the incorrect use and/or installation of MetalCloak products.

Section 1: Tools & Notes on Installation

Tools Required: This list is the recommended tools for ease of installation. Other versions of the same tool can be used. For example, Allen Wrenches instead of Allen Drive Sockets.



Socket & Ratchet Wrench

Gasket Scraper



6mm Allen Socket
3/8" Allen Socket

10mm Socket
14mm Socket



Gear Oil

Gasket of your choosing



Oil Pan

HOW TO USE THIS GUIDE: The installation guide contains ALL steps for installation. Please read and follow the instructions in order of each page top to bottom, and left to right.

Jeep Model: Instructions may apply to multiple Jeep models, but are labeled separately where appropriate (i.e. TJ vs. LJ).

Options: Because of the number of component options we offer, these instructions may contain steps that will not match your particular configuration. You can skip these steps.

Images: Pictures are provided and parts are labeled throughout the instructions. Each text box contains guidance based on the pictures next to it. The text will refer to alphabetical labels (A, B, etc.) found in the images.

Installation Notes: Terms may be used in the body of the instructions that you may not be familiar with, if you have any questions feel free to contact us at the number below, or email techhelp@metalcloak.com

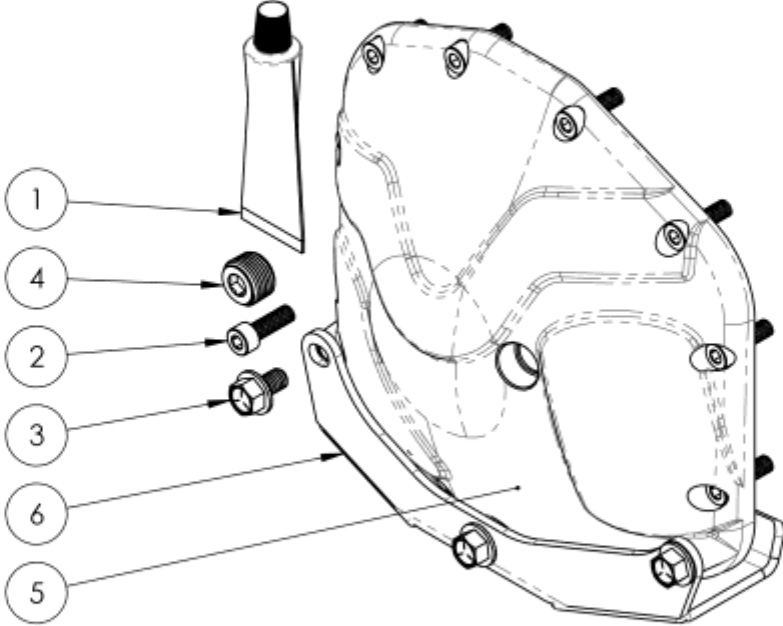
QUESTIONS: Any questions or comments about the instructions? Call us at 916-631-8071 M-F 7:00 AM – 5:00 PM PST.


Section 2: Product Components

DC-0001 REV A

SHEET 1 OF 1

	1	2	3	4	5	6	7	8	
	ITEM	PART NUMBER/DESCRIPTION				QTY.	BIN		
	1	FA-2108 RTV SILICONE, PERMATEX ULTRA BLACK				1	A15		
	2	FM-08166 SHCS, M8-1.25 X 25L STL C12.9 ZINC				12	-		
E	3	FS-06080 HHCS SERRATED FLANGE, 0.38-16 X 0.63L STL G5 ZINC				3	D27		
	4	FS-08169 PIPE PLUG, 0.50-14 NPT STL ZINC				1	D2		
	5	SS-5904 DIFF COVER, DANA M210, JL FRONT				1			
	6	WM-5905 WELDMENT, DIFF SKID, DANA M210, JL FRONT				1			

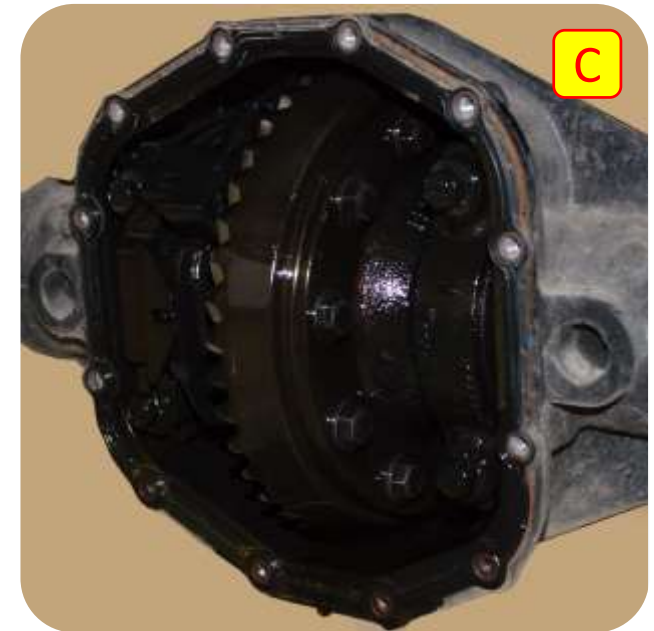


THE INFORMATION CONTAINED ON THIS DRAWING IS THE EXCLUSIVE PROPERTY OF ARMORED WORKS, LLC. UNAUTHORIZED REPRODUCTION IS PROHIBITED. DO NOT SCALE DRAWING	 A DIVISION OF ARMORED WORKS, LLC
PART NUMBER/DESCRIPTION 6375 DIFF COVER KIT, DANA M210, JL FRONT	

Section 3: Installation Instructions

Step 1: Remove Stock Diff Cover

- A. Place an oil catch under the diff cover to collect the gear oil.
- B. Using a 10mm socket and wrench remove the stock diff cover bolts.
- C. Using a gasket Scraper gently pry the diff cover off to allow the oil to drain.

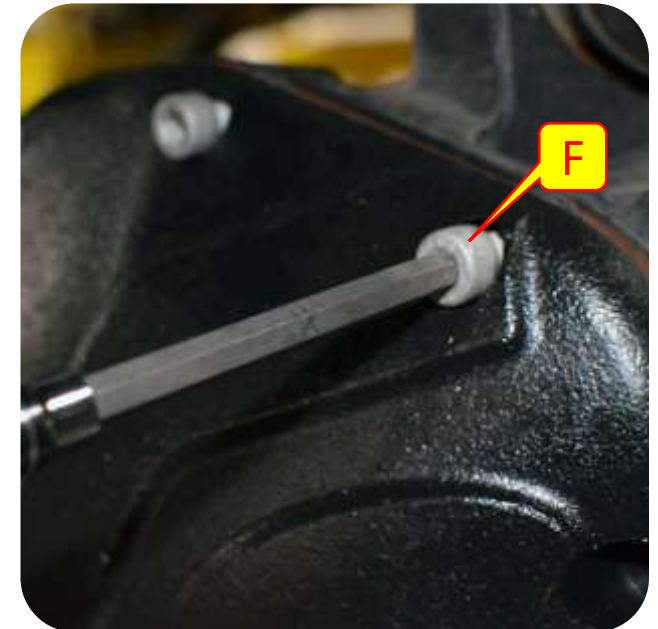
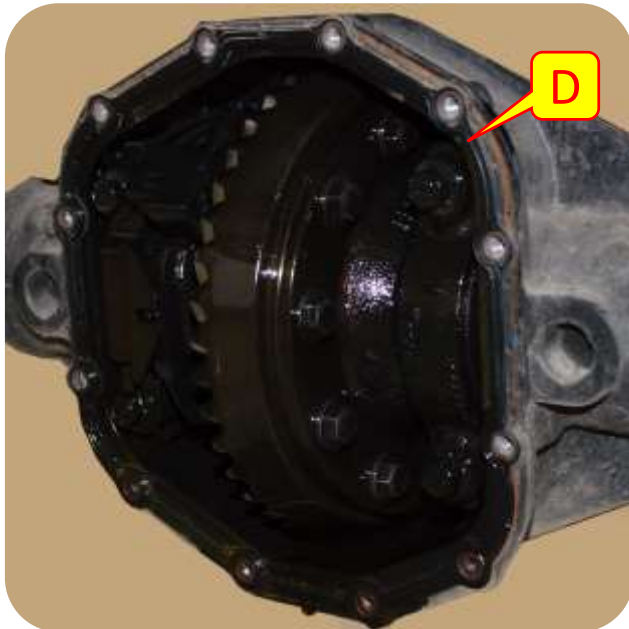


Section 3: Installation Instructions



Step 2: Install MetalCloak Diff Cover

- D. Use the gasket scraper to remove the remaining gasket from the differential.
- E. Apply your choice of gasket seal or a silicone gasket maker to the new diff cover.
- F. Install the new diff cover using a 6mm allen wrench and new hardware. Torque to 20-25ftlbs.
- G. If using a silicone gasket maker allow the diff cover cure for 5 minutes to allow the gasket maker to seal



Section 3: Installation Instructions

Step 3: Install Skid Plate and Oil Differential

- H. Install the differential cover skid using a 14mm socket.
- I. Fill the differential with new gear oil. Make sure there is an oil pan under the differential to catch any oil spillage.

Note: Be sure to fill oil to manufacture specifications.

- J. Install fill plug using a 3/8" allen wrench.
- K. Clean off any remaining oil from the diff cover.

