



Installation Instructions



PRODUCT: 4" Rear Sway Bar Drop Bracket

REV: C | 06-25-2015 | II-7026

READ INSTRUCTIONS IN FULL BEFORE INSTALLATION.

QUESTIONS? CALL 916-631-8071 M-F 7:00 AM – 5:00 PM PST

The MetalCloak experience includes the ease of installation of our products. We design for most contingencies, but installation may be different based on different Jeep condition, configuration and/or year.

We are continually trying to improve our products and instructions – please help us by providing feedback and pictures if you find any part of the instructions that do not match your particular Jeep or are not easily understandable.

If you have any difficulties at all, please give us a call. Thank you and enjoy your MetalCloak Products!

IMPORTANT NOTE: We use Stainless Steel Hardware where possible. Therefore, a tube of Silver Anti-seize is provided and should be used on all bolts—only a small amount is needed.

WARRANTY INFORMATION: This article is sold without warranty expressed or implied. No warranty or representation is made as to this products ability to protect the user from injury or death. The user assumes that risk. The effectiveness, warranty and longevity of this equipment are directly related to the manner in which it is INSTALLED, USED and/or MAINTAINED. THE USER ASSUMES ALL RISK. By purchasing this product and opening the packaging, purchasers expressly acknowledge, understand and agree that they take, select and purchase these MetalCloak products from Armored Works, LLC, its affiliates and distributors and agents as is and with all faults. The entire risk as to the quality and performance of these MetalCloak products is with the purchaser. Working on your vehicle can be a dangerous activity. If you are unsure of what you are doing, please leave mechanical or safety critical work to a skilled mechanic. We take no responsibility for the incorrect use and/or installation of MetalCloak products.

Section 1: Tools & Notes on Installation

Tools Required: This list is the recommended tools for ease of installation. Other versions of the same tool can be used. For example, Allen Wrenches instead of Allen Drive Sockets. Be sure to use metric on metric and SAE on SAE.



Socket & Ratchet Wrench

14mm or 9/16" Socket or Wrench



14mm or 9/16" Wrenches

HOW TO USE THIS GUIDE: The installation guide contains ALL steps for installation. Please read and follow the instructions in order of each page top to bottom, and left to right.

Jeep Model: Instructions may apply to multiple Jeep models, but are labeled separately where appropriate (i.e. TJ vs. LJ).

Options: Because of the number of component options we offer, these instructions may contain steps that will not match your particular configuration. You can skip these steps.

Images: Pictures are provided and parts are labeled throughout the instructions. Each text box contains guidance based on the pictures next to it. The text will refer to alphabetical labels (A, B, etc) found in the images.

Installation Notes: Terms may be used in the body of the instructions that you may not be familiar with, if you have any questions feel free to contact us at the number below, or email techhelp@metalcloak.com

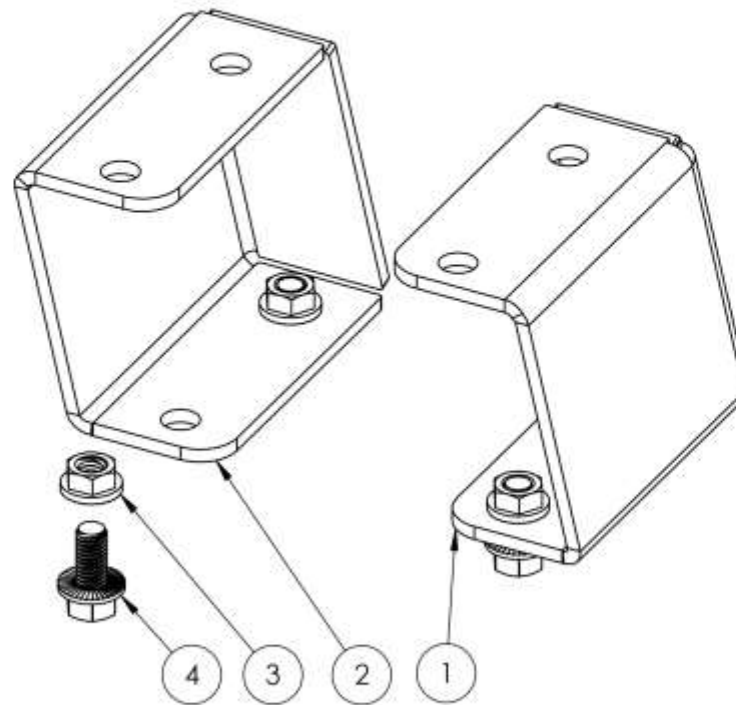
QUESTIONS: Any questions or comments about the instructions? Call us at 916-631-8071 M-F 7:00 AM – 5:00 PM PST.

Section 2: Product Components

DC-0002 REV A

SHEET 1 OF 1

ITEM	PART NUMBER/DESCRIPTION	QTY.
1	CP-3707 SWAY BAR DROP BRACKET, JK REAR	1
2	CP-3707-P SWAY BAR DROP BRACKET, JK REAR	1
3	FA-0090 FLANGE NUT, .375-16 SERRATED ZINC	4
4	FA-2009 HHCS SERRATED FLANGE, .375-16 X .75 GR 5 ZINC	4



THE INFORMATION CONTAINED IN THIS DOCUMENT IS THE SOLE AND EXCLUSIVE PROPERTY OF ARMORED WORKS, LLC. ANY REPRODUCTION OF THIS DOCUMENT WITHOUT THE WRITTEN PERMISSION OF ARMORED WORKS, LLC. IS STRICTLY PROHIBITED. METALCLOAK IS A DIVISION OF ARMORED WORKS, LLC. FOR MORE PRODUCT INFORMATION GO TO WWW.METALCLOAK.COM COPYRIGHT 2009 ALL RIGHTS RESERVED

**Metal
CLOAK**

REVISION [A][BAM][12/14/11] PART NUMBER DESCRIPTION

7026 SWAY BAR DROP BRACKET KIT, JK REAR

Section 3: Installation Instructions

Step 1: Install 4" Rear Sway Bar Drop Bracket

- A. Disconnect rear sway bar links from the sway bar only.
- B. Remove stock hardware from sway bar mounts.
- C. Fully remove the sway bar from the JK so that it no longer sits above the stock exhaust.
- D. Rear Sway Bar Drop Bracket
- E. Re-use the stock hardware to screw the drop bracket to the frame in the stock location. The bracket should be roughly vertical.
- F. Using the provided hardware use a 14mm or 9/16" hex socket or wrench to bolt the sway bar to the bottom of the drop bracket .
- G. Re-attach the stock sway bar links.

