



PRODUCT: TJ Upper Rear Shock Mount

REV: A | 01-20-2015 | II-7029

READ INSTRUCTIONS IN FULL BEFORE INSTALLATION.

QUESTIONS? CALL 916-631-8071 M-F 7:00 AM – 5:00 PM PST

The MetalCloak experience includes the ease of installation of our products. We design for most contingencies, but installation may be different based on different Jeep condition, configuration and/or year.

We are continually trying to improve our products and instructions – please help us by providing feedback and pictures if you find any part of the instructions that do not match your particular Jeep or are not easily understandable.

If you have any difficulties at all, please give us a call. Thank you and enjoy your MetalCloak Products!

IMPORTANT NOTE: We use Stainless Steel Hardware where possible. Therefore, a tube of Silver Anti-seize is provided and should be used on all bolts—only a small amount is needed.

WARRANTY INFORMATION: This article is sold without warranty expressed or implied. No warranty or representation is made as to this products ability to protect the user from injury or death. The user assumes that risk. The effectiveness, warranty and longevity of this equipment are directly related to the manner in which it is INSTALLED, USED and/or MAINTAINED. THE USER ASSUMES ALL RISK. By purchasing this product and opening the packaging, purchasers expressly acknowledge, understand and agree that they take, select and purchase these MetalCloak products from Armored Works, LLC, its affiliates and distributors and agents as is and with all faults. The entire risk as to the quality and performance of these MetalCloak products is with the purchaser. Working on your vehicle can be a dangerous activity. If you are unsure of what you are doing, please leave mechanical or safety critical work to a skilled mechanic. We take no responsibility for the incorrect use and/or installation of MetalCloak products.

Section 1: Tools & Notes on Installation



Tools Required: This list is the recommended tools for ease of installation. Other versions of the same tool can be used. For example, Allen Wrenches instead of Allen Drive Sockets.



Socket & Ratchet Wrench

8MM Socket 14MM Socket
16MM Socket 19MM Socket



Drill

9/32" Drill Bit



HOW TO USE THIS GUIDE: The installation guide contains ALL steps for installation. Please read and follow the instructions in order of each page top to bottom, and left to right.

Jeep Model: Instructions may apply to multiple Jeep models, but are labeled separately where appropriate (i.e. TJ vs. LJ).

Options: Because of the number of component options we offer, these instructions may contain steps that will not match your particular configuration. You can skip these steps.

Images: Pictures are provided and parts are labeled throughout the instructions. Each text box contains guidance based on the pictures next to it. The text will refer to alphabetical labels (A, B, etc.) found in the images.

Installation Notes: Terms may be used in the body of the instructions that you may not be familiar with, if you have any questions feel free to contact us at the number below, or email techhelp@metalcloak.com

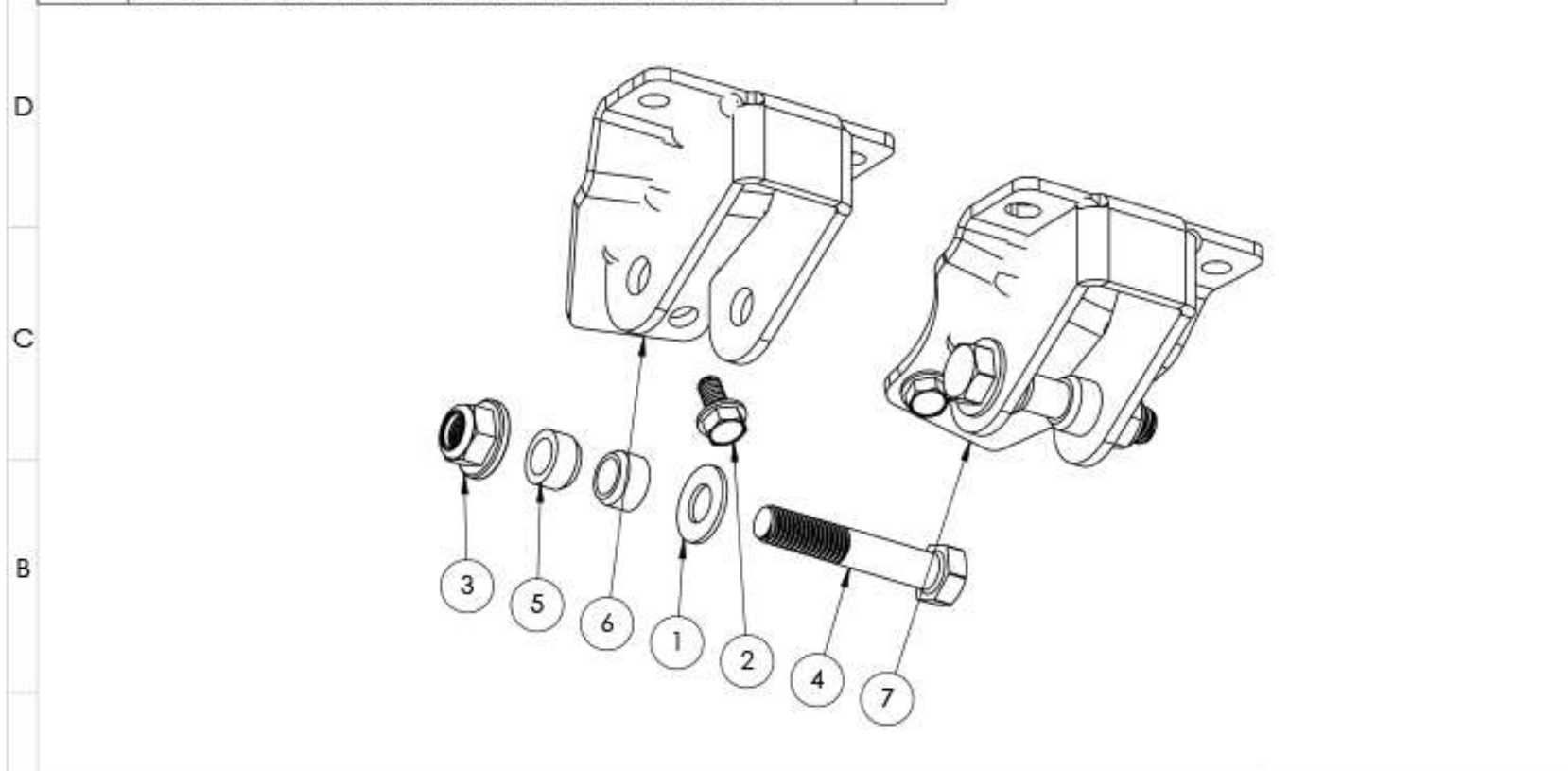
QUESTIONS: Any questions or comments about the instructions? Call us at 916-631-8071 M-F 7:00 AM – 5:00 PM PST.

Section 2: Product Components

DC-0001 REV A

SHEET 1 OF 1

ITEM	PART NUMBER/DESCRIPTION	QTY.
1	FA-0038 WASHER, .53ID X 1.06OD X .074TH ZNC PLT	2
2	FA-2036 THRD CUT HEX WASH SCREW, TYPE F .31-18 X .625	2
3	FA-2040 NYLOCK FLANGE NUT, 0.5-13 STL ZNC PLTD	2
4	FA-2051 HHCS, .5-13 X 2.75L GR 8 ZINC PLTD	2
5	SS-0040-043 SPACER, SHOCK MOUNT .5 ID X .75 OD	4
6	WM-3712 SHOCK MOUNT BRACKET, UPPER REAR TJ-LJ	1
7	WM-3712-P SHOCK MOUNT BRACKET, UPPER REAR TJ-LJ	1



THE INFORMATION CONTAINED ON THIS DRAWING IS THE EXCLUSIVE PROPERTY OF ARMORED WORKS, LLC. UNAUTHORIZED REPRODUCTION IS PROHIBITED.

DO NOT SCALE DRAWING

Metal Cloak
A DIVISION OF ARMORED WORKS, LLC

**PART NUMBER
DESCRIPTION**

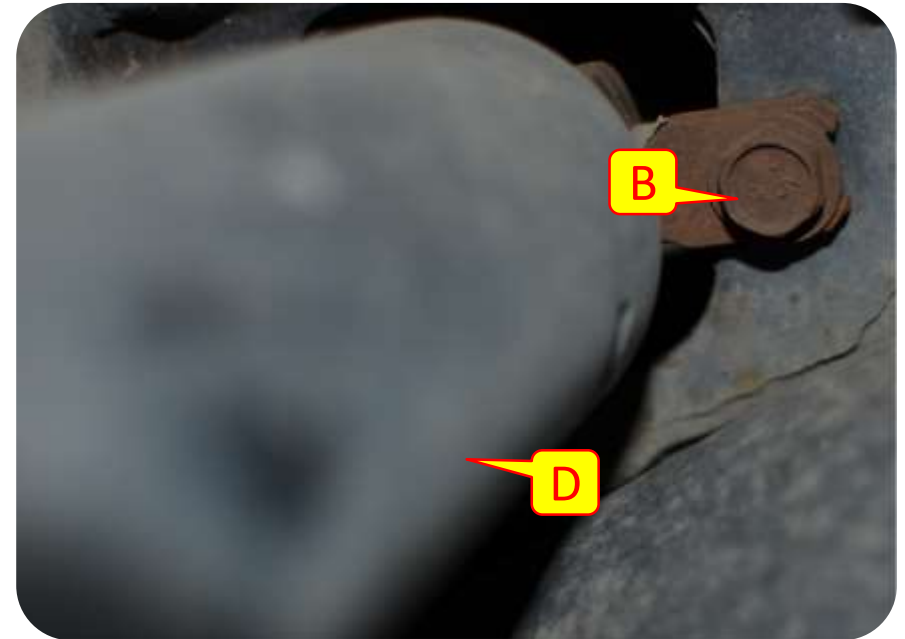
7029 SHOCK MOUNT KIT, UPPER REAR TJ-LJ

Section 4: Rear Shock Installation Instructions



Step 1: Disconnect Stock Shock

- A. Lift Jeep and place jack stands under the rear axle before disconnecting anything.
- B. To disconnect the Rear shocks use a 8mm socket and wrench to remove the stock nut on top of the upper shock mount tower.
- C. Use a 16mm socket and wrench to remove the stock nut and bolt from the lower shock mount bracket located on the axle.
- D. Remove rear shocks.



Section 4: Rear Shock Installation Instructions



Step 2: Install Upper Shock Mount

- E. Align the MetalCloak Upper Rear Shock Mount with the factory holes.
- F. Hand tighten the factory hardware to hold the Upper Rear shock mount into place.
- G. Using a 9/32" drill bit drill the additional hole for the third bolt.
- H. Using a 14mm socket tighten down the provided self tapping bolt in the drilled out location.
- I. Tighten all upper rear shock mount bolts.
- J. Using the provided bolt and spacers install the rear shock in the upper rear shock mount making sure the head of the bolt is away from the frame.
- K. Reinstall the bottom of the shock in the lower rear shock mount.
- L. Tighten down all bolts.

