



Installation Instructions



PRODUCT: JK Front Driveshaft, Manual Transmission

REV: B | 06-28-2018 | II-7201

READ INSTRUCTIONS IN FULL BEFORE INSTALLATION.

QUESTIONS? CALL 916-631-8071 M-F 7:00 AM – 5:00 PM PST

The MetalCloak experience includes the ease of installation of our products. We design for most contingencies, but installation may be different based on different Jeep condition, configuration and/or year.

We are continually trying to improve our products and instructions – please help us by providing feedback and pictures if you find any part of the instructions that do not match your particular Jeep or are not easily understandable.

If you have any difficulties at all, please give us a call. Thank you and enjoy your MetalCloak Products!

IMPORTANT NOTE: We use Stainless Steel Hardware where possible. Therefore, a tube of Silver Anti-seize is provided and should be used on all bolts—only a small amount is needed.

WARRANTY INFORMATION: This article is sold without warranty expressed or implied. No warranty or representation is made as to this products ability to protect the user from injury or death. The user assumes that risk. The effectiveness, warranty and longevity of this equipment are directly related to the manner in which it is INSTALLED, USED and/or MAINTAINED. THE USER ASSUMES ALL RISK. By purchasing this product and opening the packaging, purchasers expressly acknowledge, understand and agree that they take, select and purchase these MetalCloak products from Armored Works, LLC, its affiliates and distributors and agents as is and with all faults. The entire risk as to the quality and performance of these MetalCloak products is with the purchaser. Working on your vehicle can be a dangerous activity. If you are unsure of what you are doing, please leave mechanical or safety critical work to a skilled mechanic. We take no responsibility for the incorrect use and/or installation of MetalCloak products.

Section 1: Tools & Notes on Installation

Tools Required: This list is the recommended tools for ease of installation. Other versions of the same tool can be used. For example, Allen Wrenches instead of Allen Drive Sockets.



Socket & Ratchet Wrench

8mm Socket (12-point)
15mm Socket 32mm Socket



WD-40 (Optional)

Rubber Mallet



Red Loctite

HOW TO USE THIS GUIDE: The installation guide contains ALL steps for installation. Please read and follow the instructions in order of each page top to bottom, and left to right.

Jeep Model: Instructions may apply to multiple Jeep models, but are labeled separately where appropriate (i.e. TJ vs. LJ).

Options: Because of the number of component options we offer, these instructions may contain steps that will not match your particular configuration. You can skip these steps.

Images: Pictures are provided and parts are labeled throughout the instructions. Each text box contains guidance based on the pictures next to it. The text will refer to alphabetical labels (A, B, etc.) found in the images.

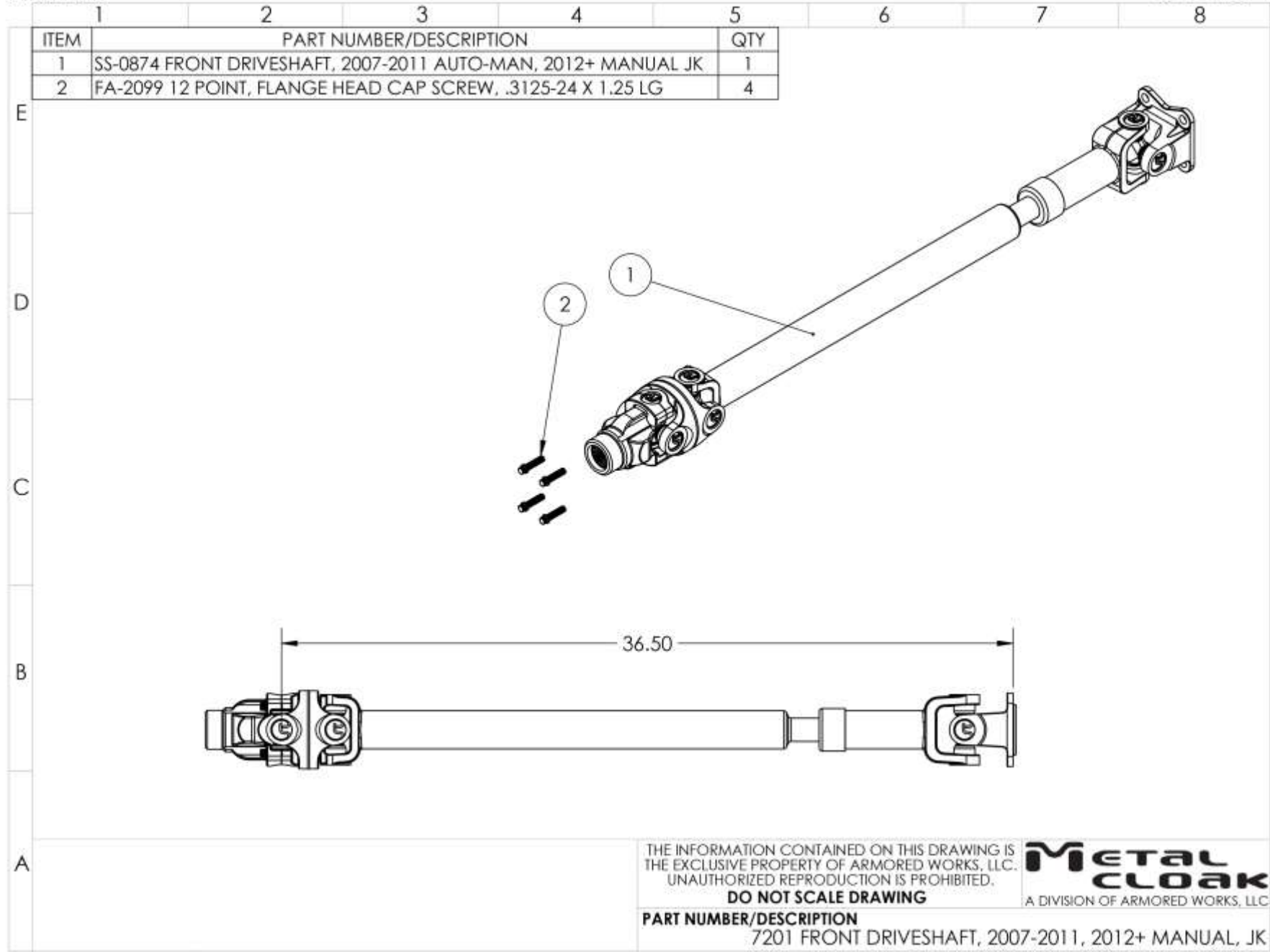
Installation Notes: Terms may be used in the body of the instructions that you may not be familiar with, if you have any questions feel free to contact us at the number below, or email techhelp@metalcloak.com

QUESTIONS: Any questions or comments about the instructions? Call us at 916-631-8071 M-F 7:00 AM – 5:00 PM PST.

Section 2: Product Components

DC-0001 REV A

SHEET 1 OF 1



Section 3: Installation Instructions



Step 1: Front Driveshaft Installation

- A. Raise vehicle and support with stands.
- B. On the differential side of the driveshaft use a 15mm socket to remove the stock driveshaft and save all hardware (*if the driveshaft bolts are rusted use WD-40 to help loosen the bolts for removal*).
- C. Using a rubber mallet remove the flange from the front pinion yoke.
- D. Remove the transfer case end of the driveshaft with a 12 point 8mm socket.
- E. Use a 32mm socket to remove the transfer case nut in the center and save the transfer case nut for reinstallation.
- F. With your rubber mallet remove the front transfer case yoke (*save the O-ring in the center of the yoke for reinstallation*).
- G. Take the O-ring from the stock yoke that you have set aside and place it into the new transfer case yoke that came with the MetalCloak driveshaft.
- H. Install the new yoke on the splines.
- I. Using a rubber mallet tap the yoke onto the splines until enough of the threads show to start the transfer case nut.
- J. Use Red Loctite on the nut and tighten down the transfer case nut using a 32mm socket (*torque specs. 160 ft lbs*).

Note: *If the transfer case nut holding the yoke is not tightened to spec it can cause vibration.*

Section 3: Installation Instructions



Step 1: Front Driveshaft Installation

- K. Insert the CV side of the driveshaft into the yoke.
- L. Use a 12-point 8mm socket to tighten the provided bolts on the CV side of the driveshaft.
- M. Using the stock driveshaft bolts from the differential side, apply Red Loctite to the threads then tighten down the bolts with a 15mm socket.
- N. Lower the vehicle and torque the 15mm bolts to 45 ft lbs.

Note: Driveshafts come pre-greased from the manufacturer, but it is always good practice to grease them again after installation. *We recommend using NLGI Grade 1 or 2 grease.*