



PRODUCT: JL/JT Front Sway Bar Quick Disconnect

REV: A | 08-30-2019 | II-7614

**READ INSTRUCTIONS IN FULL BEFORE INSTALLATION.
QUESTIONS? CALL 916-631-8071 M-F 7:00 AM – 5:00 PM PST**

The MetalCloak experience includes the ease of installation of our products. We design for most contingencies, but installation may be different based on different Jeep condition, configuration and/or year.

We are continually trying to improve our products and instructions – please help us by providing feedback and pictures if you find any part of the instructions that do not match your Jeep or are not easily understandable.

If you have any difficulties at all, please give us a call. Thank you and enjoy your MetalCloak Products!

IMPORTANT NOTE: We use Stainless Steel Hardware where possible. Therefore, a tube of Silver Anti-seize is provided and should be used on all bolts—only a small amount is needed.

WARRANTY INFORMATION: This article is sold without warranty expressed or implied. No warranty or representation is made as to this products ability to protect the user from injury or death. The user assumes that risk. The effectiveness, warranty and longevity of this equipment are directly related to the manner in which it is INSTALLED, USED and/or MAINTAINED. THE USER ASSUMES ALL RISK. By purchasing this product and opening the packaging, purchasers expressly acknowledge, understand and agree that they take, select and purchase these MetalCloak products from Armored Works, LLC, its affiliates and distributors and agents as is and with all faults. The entire risk as to the quality and performance of these MetalCloak products is with the purchaser. Working on your vehicle can be a dangerous activity. If you are unsure of what you are doing, please leave mechanical or safety critical work to a skilled mechanic. We take no responsibility for the incorrect use and/or installation of MetalCloak products.

Section 1: Tools & Notes on Installation



Tools Required: This list is the recommended tools for ease of installation. Other versions of the same tool can be used. For example, Allen Wrenches instead of Allen Drive Sockets.



Socket & Ratchet Wrench

15mm Socket
18mm Socket
3/4" Socket



9/16" Wrench
1/2" Wrench
18mm Wrench

Philips Screwdriver



6mm Allen Wrench

9/32" Drill Bit



Drill

HOW TO USE THIS GUIDE: The installation guide contains ALL steps for installation. Please read and follow the instructions in order of each page top to bottom and left to right.

Jeep Model: Instructions may apply to multiple Jeep models but are labeled separately where appropriate (i.e. TJ vs. LJ).

Options: Because of the number of component options we offer, these instructions may contain steps that will not match your configuration. You can skip these steps.

Images: Pictures are provided, and parts are labeled throughout the instructions. Each text box contains guidance based on the pictures next to it. The text will refer to alphabetical labels (A, B, etc.) found in the images.

Installation Notes: Terms may be used in the body of the instructions that you may not be familiar with, if you have any questions feel free to contact us at the number below, or email techhelp@metalcloak.com

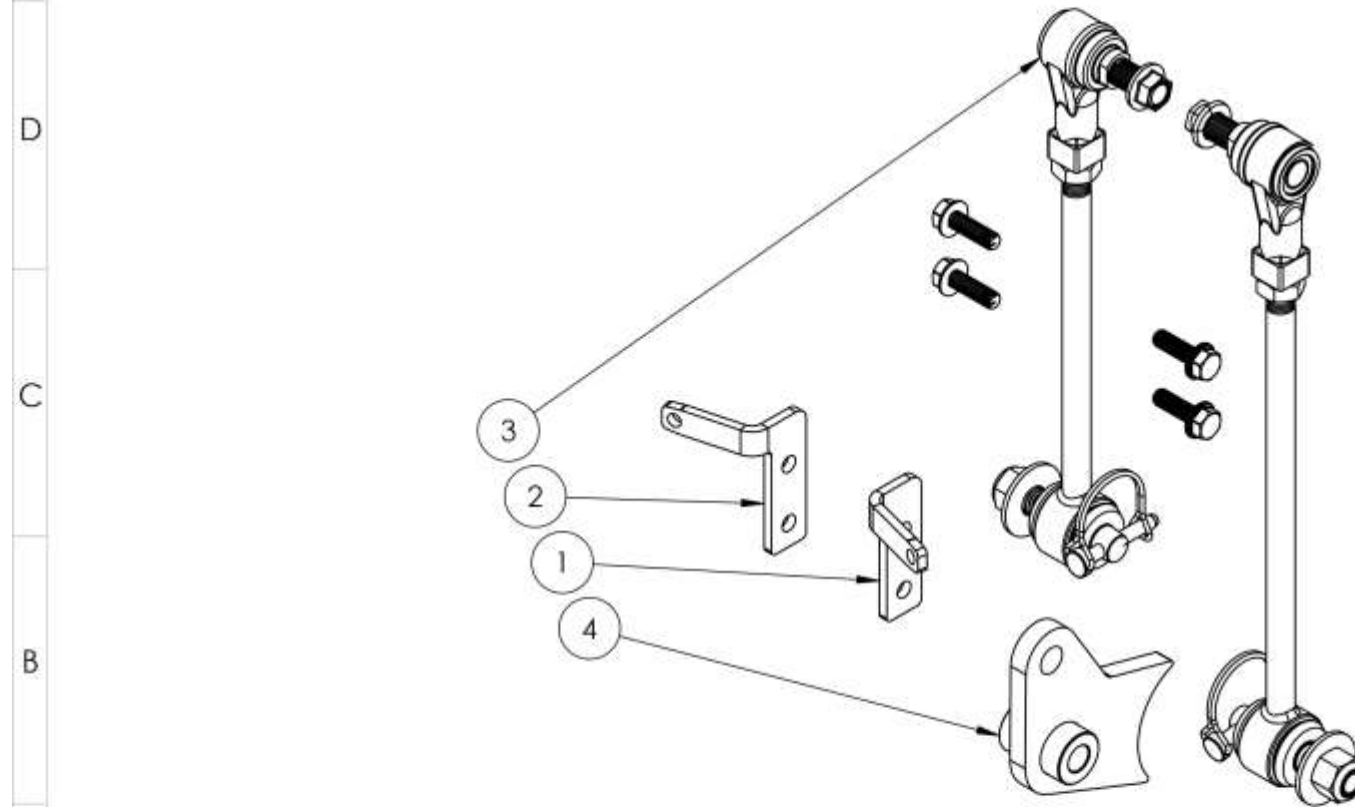
QUESTIONS: Any questions or comments about the instructions? Call us at 916-631-8071 M-F 7:00 AM – 5:00 PM PST.

Section 2: Product Components

DC-0001 REV A

SHEET 1 OF 1

ITEM	PART NUMBER/DESCRIPTION	QTY.	BIN
1	CP-3723 BRACKET, SWAY BAR DISCONNECT	1	
2	CP-3723-P BRACKET, SWAY BAR DISCONNECT	1	
3	SS-6091 END LINK KIT, SWAY BAR QUICK DISCONNECT, JL FRONT	1	
4	WM-6226 RISE BRACKET, SWAY BAR QUICK DISCONNECT, JL FRONT	1	



THE INFORMATION CONTAINED ON THIS DRAWING IS THE EXCLUSIVE PROPERTY OF ARMORED WORKS, LLC. UNAUTHORIZED REPRODUCTION IS PROHIBITED.

DO NOT SCALE DRAWING

Metal Cloak

A DIVISION OF ARMORED WORKS, LLC

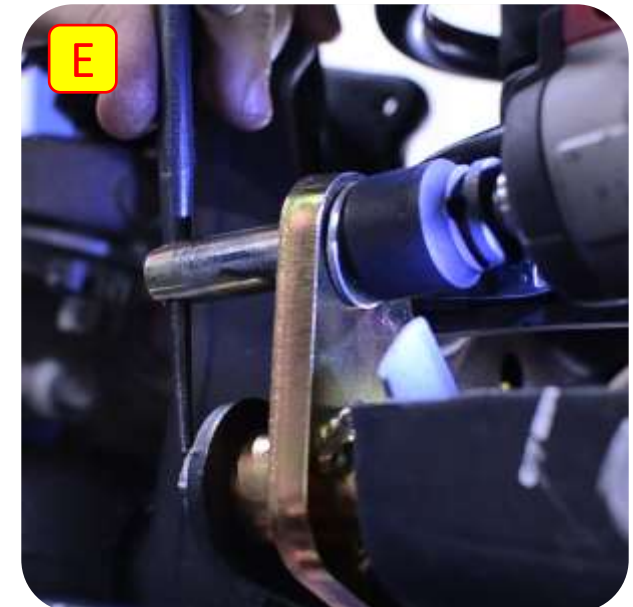
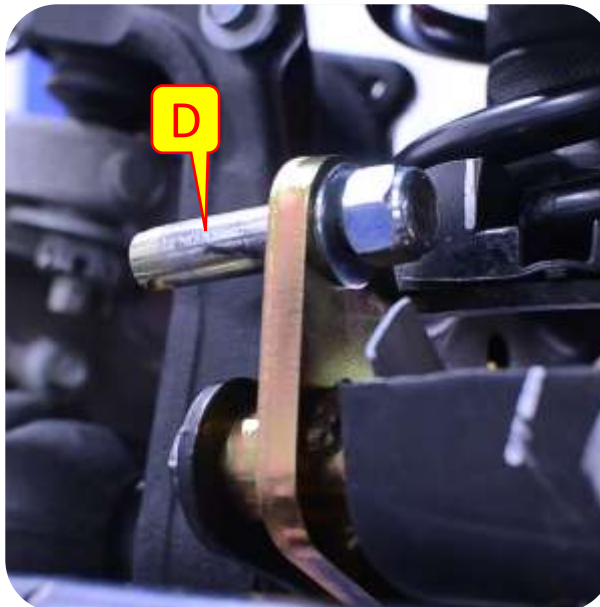
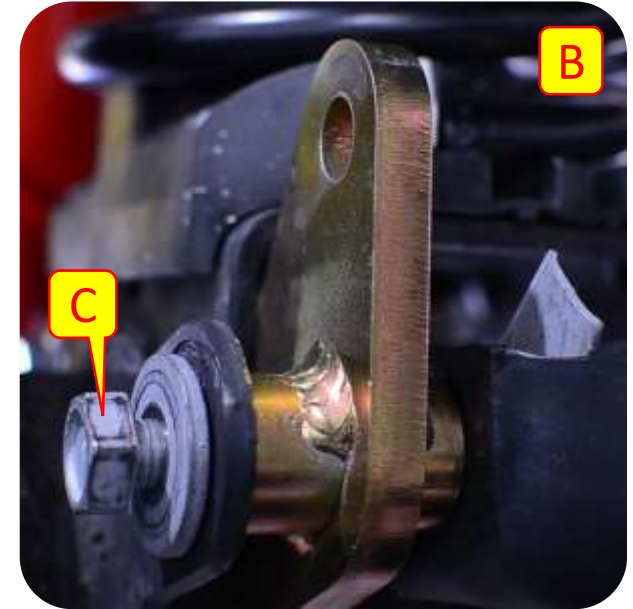
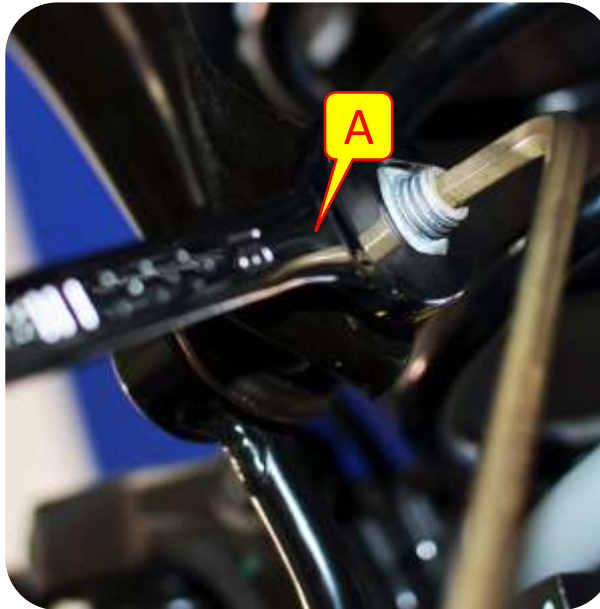
PART NUMBER/DESCRIPTION

7614 SWAY BAR QUICK DISCONNECT, 12 INCH, JL FRONT

Section 3: Installation Instructions

Step 1: Install Sway Bar Rise Bracket

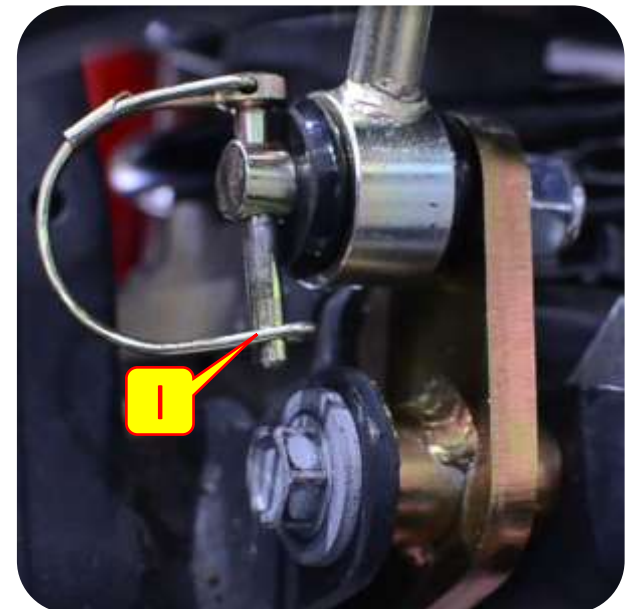
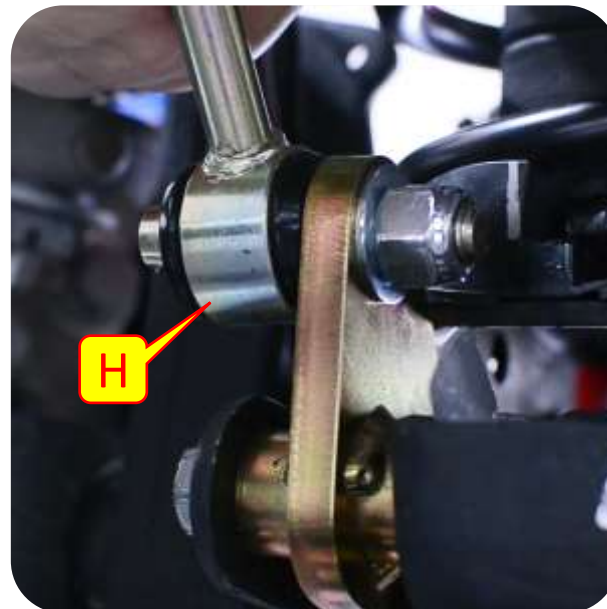
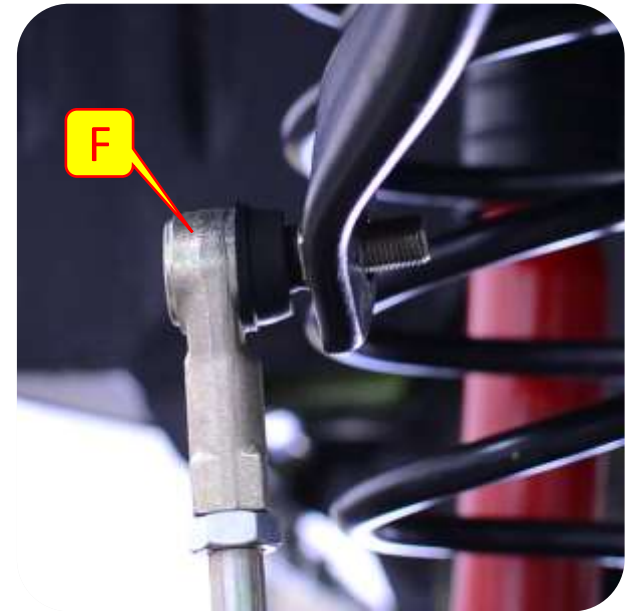
- A. Disconnect the front sway bar links using a 18mm wrench and a 6mm allen wrench. **Save Hardware.**
- B. On the passenger side install the Sway bar rise bracket at the axle using the stock bolt and flag nut.
- C. Tighten the bolt with an 18mm socket.
- D. Install the Quick Disconnect pin, washer, and nut to the top hole located on the sway bar rise bracket.
- E. Tighten the disconnect pin using a 3/4" socket and hold the pin in place using a small screwdriver or punch.



Section 3: Installation Instructions

Step 2: Install Quick Disconnects

- F. Install the shorter sway bar disconnect to the sway bar.
- G. Using a 15mm socket and a 9/16" wrench tighten the sway bar disconnect to the sway bar.
- H. Install the lower end of the quick disconnect to the sway bar rise pin.
- I. Install the hitch pin into the quick disconnect pin.

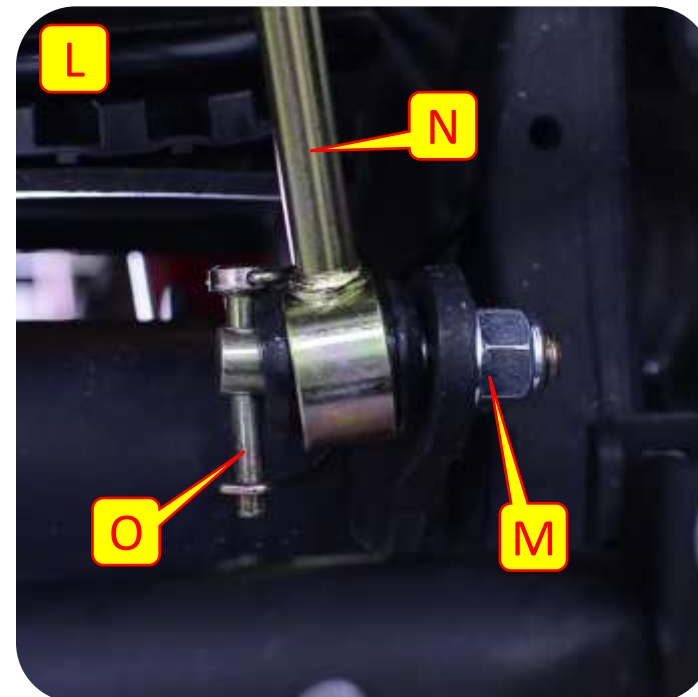
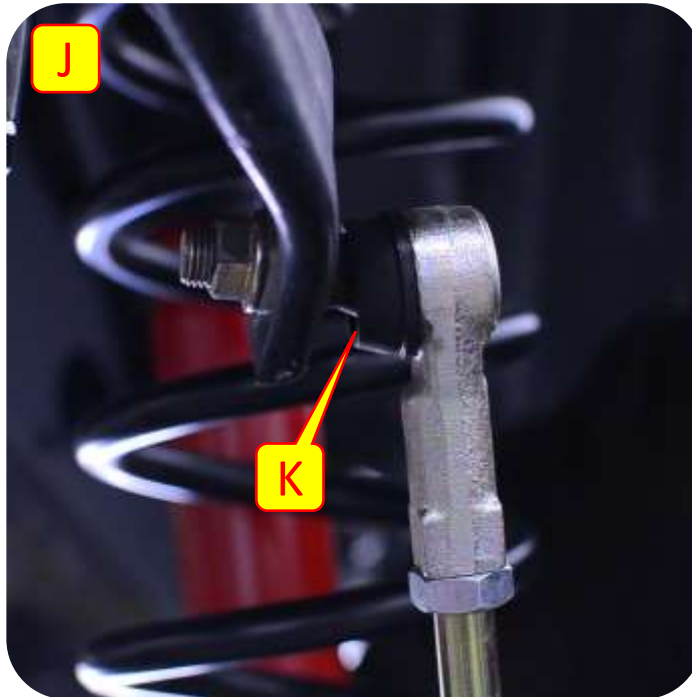


Section 3: Installation Instructions



Step 2: Install Quick Disconnects

- J. On the driver side install the longer sway bar disconnect to the sway bar.
- K. Using a 15mm socket and a 9/16" wrench tighten the sway bar disconnect to the sway bar.
- L. Install the Quick Disconnect pin, washer, and nut to the stock disconnect location (*Make sure the pin is facing inward*).
- M. Tighten the disconnect pin using a 3/4" socket and hold the pin in place using a small screwdriver or punch.
- N. Install the lower end of the quick disconnect to the sway bar rise pin.
- O. Install the hitch pin into the quick disconnect pin.



Section 3: Installation Instructions



Step 3: Install Quick Disconnect Brackets

- P. Disconnect the links and align the provided brackets in the desired location. There is no exact location; the goal is simply to keep the sway bar clear of the tires when stowed. Mark the locations and drill with a 9/32" drill bit. Install the self-tapping screws through the bracket using a 1/2" wrench.
- Q. Re-attach the links to the lower pins and install the hitch pins. These may be snug against the rubber bushing, so don't be surprised if you need to use a little muscle to push them through.

