



PRODUCT: JL Front Upper Shock Mount Kit

REV: B | 02-20-2020 | II-7621

**READ INSTRUCTIONS IN FULL BEFORE INSTALLATION.
QUESTIONS? CALL 916-631-8071 M-F 7:00 AM – 5:00 PM PST**

The MetalCloak experience includes the ease of installation of our products. We design for most contingencies, but installation may be different based on different Jeep condition, configuration and/or year.

We are continually trying to improve our products and instructions – please help us by providing feedback and pictures if you find any part of the instructions that do not match your particular Jeep or are not easily understandable.

If you have any difficulties at all, please give us a call. Thank you and enjoy your MetalCloak Products!

WARRANTY INFORMATION: This article is sold without warranty expressed or implied. No warranty or representation is made as to this products ability to protect the user from injury or death. The user assumes that risk. The effectiveness, warranty and longevity of this equipment are directly related to the manner in which it is INSTALLED, USED and/or MAINTAINED. THE USER ASSUMES ALL RISK. By purchasing this product and opening the packaging, purchasers expressly acknowledge, understand and agree that they take, select and purchase these MetalCloak products from Armored Works, LLC, its affiliates and distributors and agents as is and with all faults. The entire risk as to the quality and performance of these MetalCloak products is with the purchaser. Working on your vehicle can be a dangerous activity. If you are unsure of what you are doing, please leave mechanical or safety critical work to a skilled mechanic. We take no responsibility for the incorrect use and/or installation of MetalCloak products.

Section 1: Tools & Notes on Installation



Tools Required: This list is the recommended tools for ease of installation. Other versions of the same tool can be used. For example, Allen Wrenches instead of Allen Drive Sockets. Be sure to use metric on metric and SAE on SAE.



Socket & Ratchet Wrench

18mm Socket
3/4" Socket



18mm Wrench
3/4" Wrench

Electric Drill
1/2" Drill Bit



HOW TO USE THIS GUIDE: The installation guide contains ALL steps for installation. Please read and follow the instructions in order of each page top to bottom, and left to right.

Jeep Model: Instructions may apply to multiple Jeep models, but are labeled separately where appropriate (i.e. TJ vs. LJ).

Options: Because of the number of component options we offer, these instructions may contain steps that will not match your particular configuration. You can skip these steps.

Images: Pictures are provided and parts are labeled throughout the instructions. Each text box contains guidance based on the pictures next to it. The text will refer to alphabetical labels (A, B, etc.) found in the images.

Installation Notes: Terms may be used in the body of the instructions that you may not be familiar with, if you have any questions feel free to contact us at the number below, or email techhelp@metalcloak.com

QUESTIONS: Any questions or comments about the instructions? Call us at 916-631-8071 M-F 7:00 AM – 5:00 PM PST.

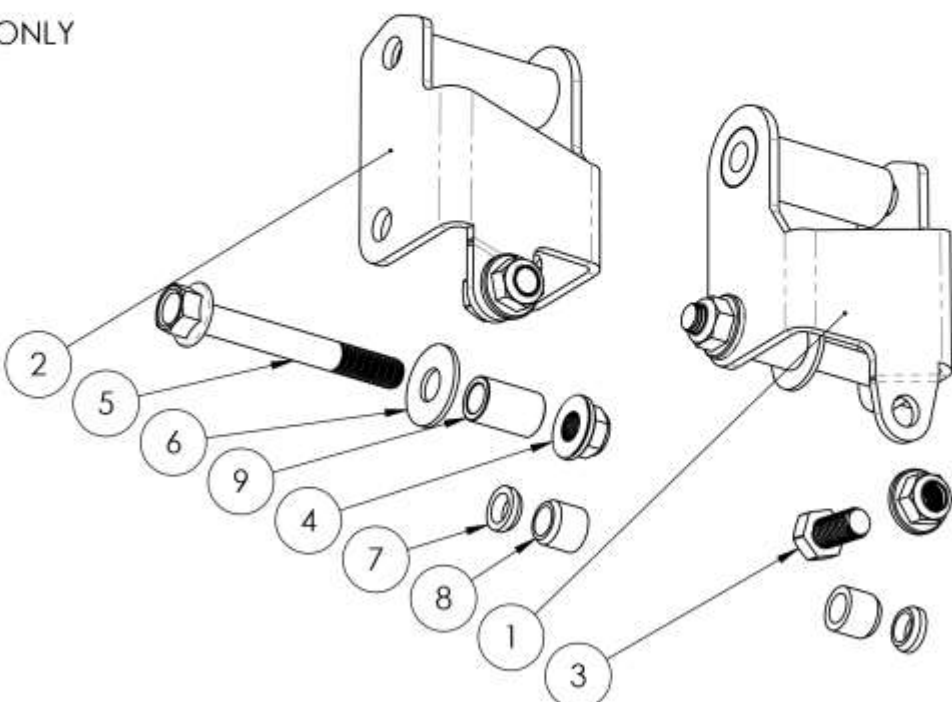
Section 2: Product Components

DC-0001 REV A

SHEET 1 OF 2

ITEM	PART NUMBER/DESCRIPTION	QTY.
1	WM-6221 WELDMENT, SHOCK MOUNT, JL FRONT UPPER	1
2	WM-6221-P WELDMENT, SHOCK MOUNT, JL FRONT UPPER	1
E		
HK-7621 [INTERNAL]		
3	FS-08012 HHCS, 0.5-13 x 1.0L STL G8 ZINC	2
4	FS-08127 NYLOCK FLANGE NUT, 0.5-13 X 0.56H STL GF ZINC	4
5	FS-08187 HHCS FLANGE, 0.5-13 X 4.0L STL G8 ZINC	2
6	FS-09032 WASHER, 0.56ID X 1.38OD 0.11TH STL ZINC	2
7	SS-0040-022 SPACER, SHOCK MOUNT .5 ID X .75 OD	2
8	SS-0040-064 SPACER, SHOCK MOUNT .5 ID X .75 OD	2
9	SS-0042 SPACER, SHOCK MOUNT .5ID X .75OD X 1.13L	2

D
 NOTES:
 1) ITEMS #6-9 ARE FOR 6PAK MOUNTING ONLY



C
 B
 A

THE INFORMATION CONTAINED ON THIS DRAWING IS THE EXCLUSIVE PROPERTY OF ARMORED WORKS, LLC. UNAUTHORIZED REPRODUCTION IS PROHIBITED.
DO NOT SCALE DRAWING

MetalCloak
 A DIVISION OF ARMORED WORKS, LLC

PART NUMBER/DESCRIPTION
 7621 SHOCK MOUNT BRACKETS, JL FRONT UPPER

Section 3: Installation Instructions



Important Note: All shocks are marked on the shock plate to identify the shocks corresponding location.

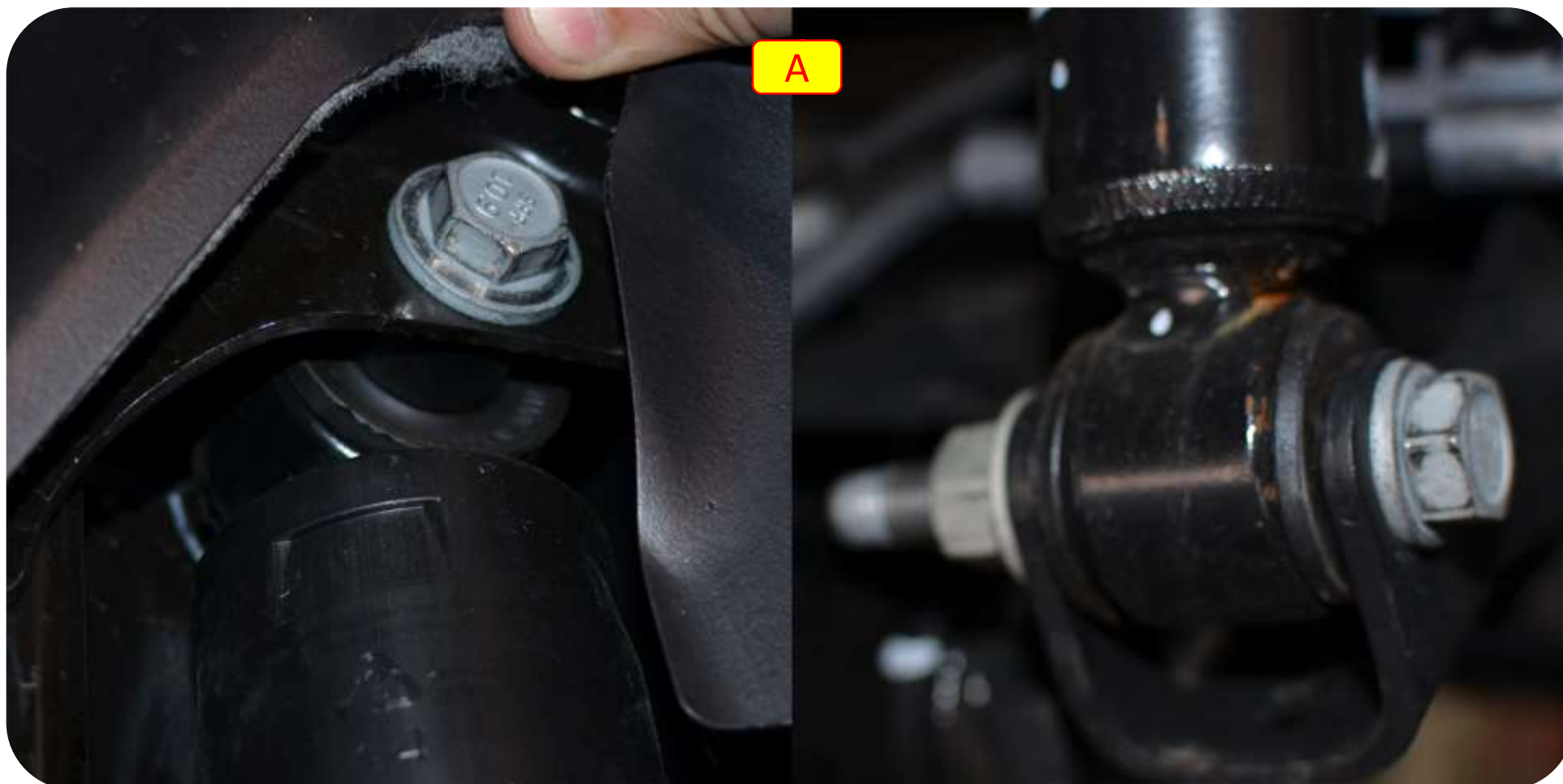
JLF – Front Shocks
JLR – Rear Shock



Section 3: Installation Instructions

Step 1: Remove Stock Components

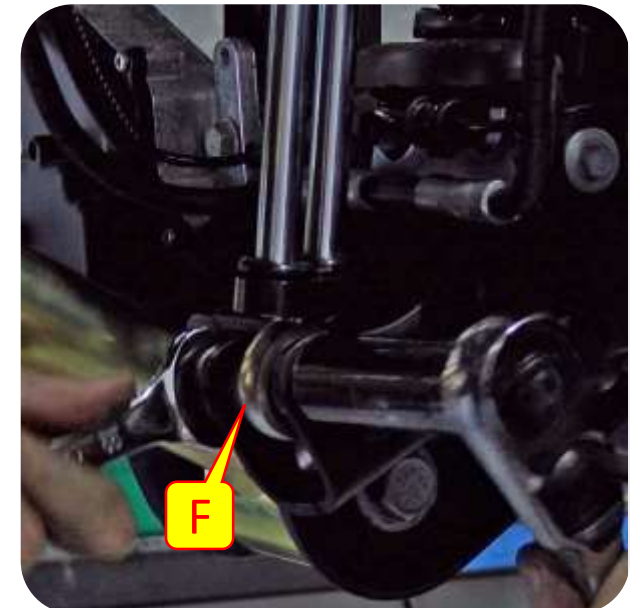
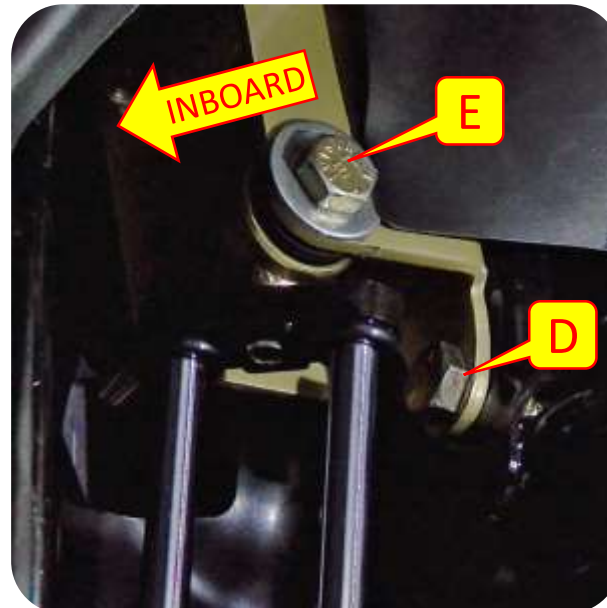
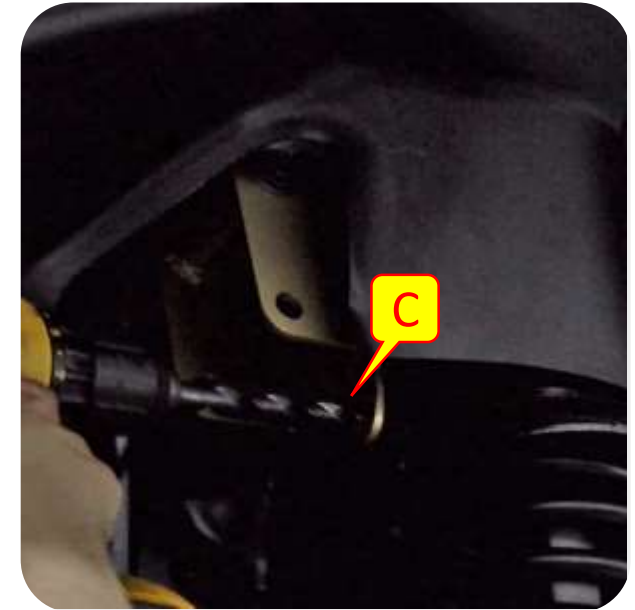
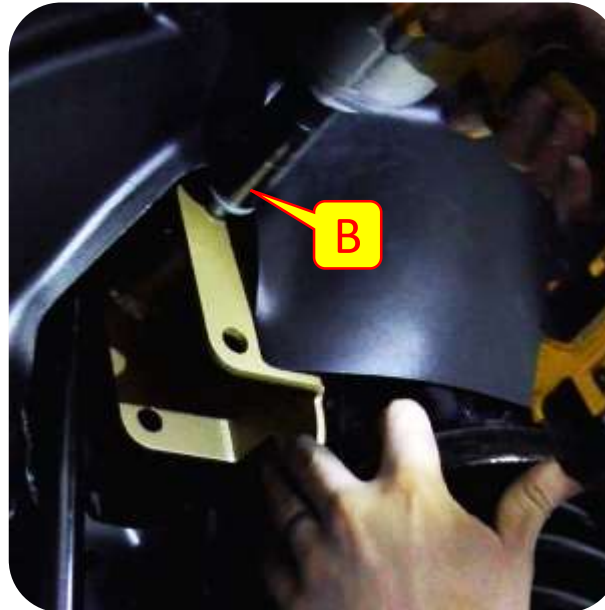
- A. Use a 18MM Socket and Wrench to remove the shocks. Save all hardware



Section 3: Installation Instructions

Step 4: Install 6Pak Shocks

- B. Place the shock bracket into place aligning the top bracket hole to the factory location and install the stock bolt into the top hole of the bracket & tighten with the side hole against the coil bucket.
- C. Using a 1/2" drill bit drill out the side hole. Once the hole is drilled loosen the top shock bracket bolt.
- D. Using a 3/4 socket & wrench tighten down the side bolt.
- E. Install the bushing end (top) of the 6Pak shock & the washer & large spacer on the inboard side of the bushing end.
- F. The axle side shock mounts into the stock bracket with aluminum spacers pushing the shock outboard; big spacer on the inboard side and short spacer on the outboard side. Tighten using a 18MM Socket and wrench.



Note: The 6-Pak Shock Reservoir Tubes (RED) should point away from the vehicle, perpendicular to the frame of the JEEP