



PRODUCT: JL/JT RockSport Steering Stabilizer Kit

REV: B | 09-16-2022 | II-7681

**READ INSTRUCTIONS IN FULL BEFORE INSTALLATION.
QUESTIONS? CALL 916-631-8071 M-F 7:00 AM – 5:00 PM PST**

The MetalCloak experience includes the ease of installation of our products. We design for most contingencies, but installation may be different based on different Jeep condition, configuration and/or year.

We are continually trying to improve our products and instructions – please help us by providing feedback and pictures if you find any part of the instructions that do not match your particular Jeep or are not easily understandable.

If you have any difficulties at all, please give us a call. Thank you and enjoy your MetalCloak Products!

IMPORTANT NOTE: We use Stainless Steel Hardware where possible. Therefore, a tube of Silver Anti-seize is provided and should be used on all bolts—only a small amount is needed.

WARRANTY INFORMATION: This article is sold without warranty expressed or implied. No warranty or representation is made as to this products ability to protect the user from injury or death. The user assumes that risk. The effectiveness, warranty and longevity of this equipment are directly related to the manner in which it is INSTALLED, USED and/or MAINTAINED. THE USER ASSUMES ALL RISK. By purchasing this product and opening the packaging, purchasers expressly acknowledge, understand and agree that they take, select and purchase these MetalCloak products from Armored Works, LLC, its affiliates and distributors and agents as is and with all faults. The entire risk as to the quality and performance of these MetalCloak products is with the purchaser. Working on your vehicle can be a dangerous activity. If you are unsure of what you are doing, please leave mechanical or safety critical work to a skilled mechanic. We take no responsibility for the incorrect use and/or installation of MetalCloak products.

Section 1: Tools & Notes on Installation



Tools Required: This list is the recommended tools for ease of installation. Other versions of the same tool can be used. For example, Allen Wrenches instead of Allen Drive Sockets.



Socket & Ratchet Wrench

18mm Socket 21mm Socket
22mm Socket 9/16" Socket
3/4" Socket



3/8" Drill Bit
(3/8" Step Bit Recommended)

9/16" Wrench
3/4" Wrench



Drill
(Angle Drill Recommended)

HOW TO USE THIS GUIDE: The installation guide contains ALL steps for installation. Please read and follow the instructions in order of each page top to bottom, and left to right.

Jeep Model: Instructions may apply to multiple Jeep models, but are labeled separately where appropriate (i.e. TJ vs. LJ).

Options: Because of the number of component options we offer, these instructions may contain steps that will not match your particular configuration. You can skip these steps.

Images: Pictures are provided and parts are labeled throughout the instructions. Each text box contains guidance based on the pictures next to it. The text will refer to alphabetical labels (A, B, etc) found in the images.

Installation Notes: Terms may be used in the body of the instructions that you may not be familiar with, if you have any questions feel free to contact us at the number below, or email techhelp@metalcloak.com

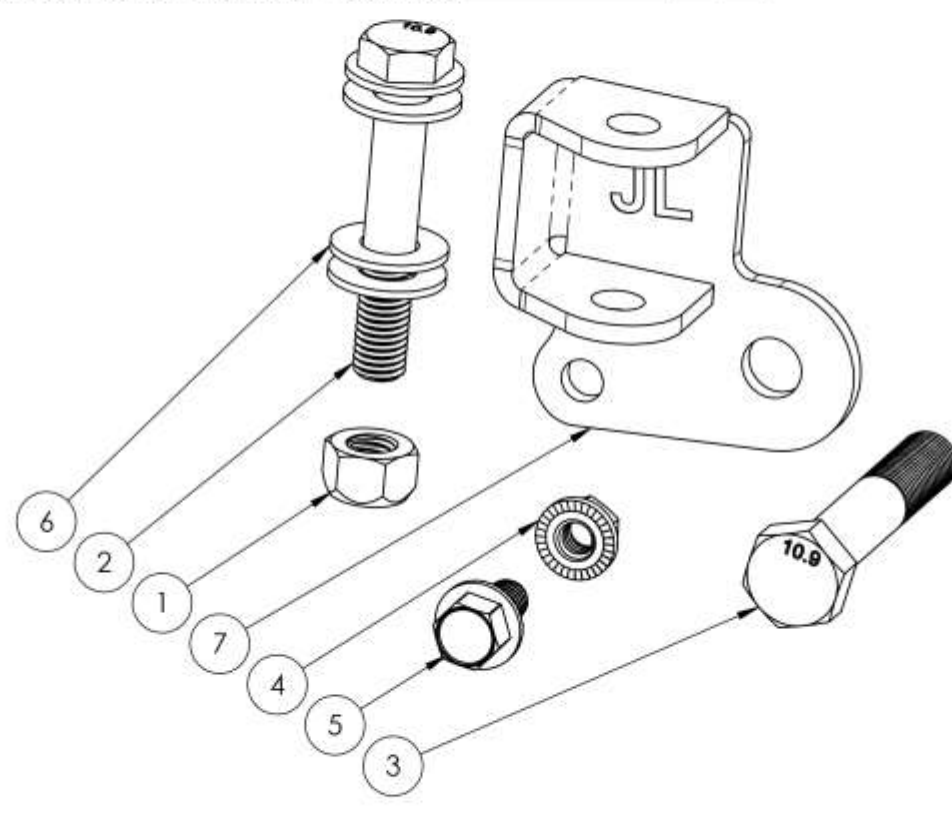
QUESTIONS: Any questions or comments about the instructions? Call us at 916-631-8071 M-F 7:00 AM – 5:00 PM PST.


Section 2: Product Components

DC-0001 REV A

SHEET 1 OF 1

ITEM	PART NUMBER/DESCRIPTION	QTY.
1	FM-12132 TOPLOCK NUT, M12-1.75 X 12H STL C10 ZINC	1
2	FM-12153 HHCS, M12-1.75 X 70L STL C10.9 ZINC	1
3	FM-14214 HHCS, M14-1.5 X 80L STL C10.9 ZINC	1
4	FS-06053 SERRATED FLANGE LOCK NUT, 0.38-16 X 0.34H STL GF ZINC	1
5	FS-06104 HHCS SERRATED FLANGE, 0.38-16 X 0.75L STL G5 ZINC	1
6	FS-08023 WASHER, 0.53ID X 1.06OD X 0.10TH STL ZINC	4
7	SS-6217 STEERING STABILIZER BRACKET-AXLE MOUNT, JL	1

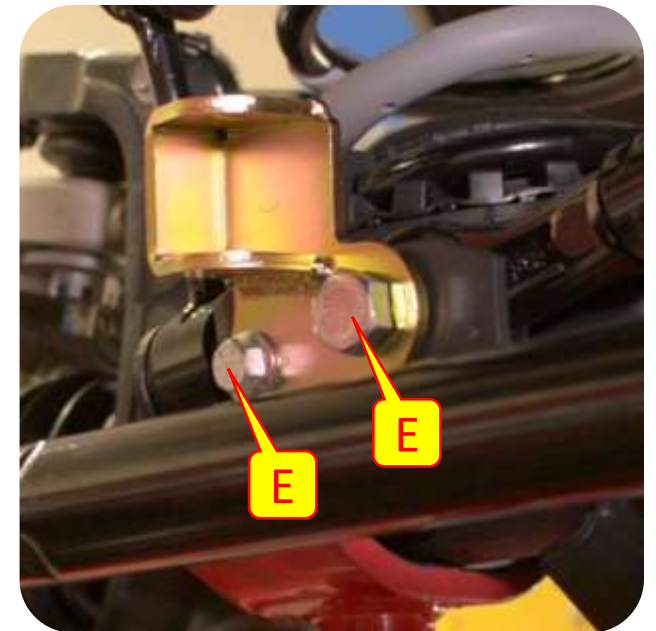
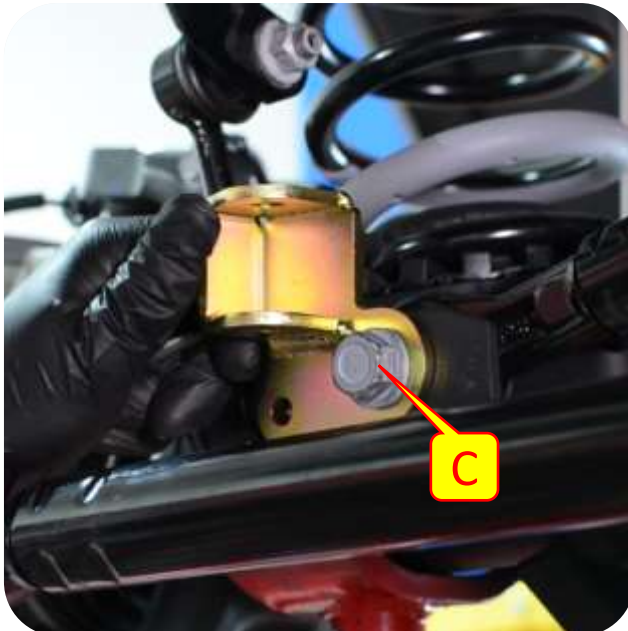


<p>THE INFORMATION CONTAINED ON THIS DRAWING IS THE EXCLUSIVE PROPERTY OF ARMORED WORKS, LLC. UNAUTHORIZED REPRODUCTION IS PROHIBITED.</p> <p>DO NOT SCALE DRAWING</p>		 <p>A DIVISION OF ARMORED WORKS, LLC</p>
<p>PART NUMBER/DESCRIPTION</p> <p>7680 STEERING STABILIZER-AXLE MOUNT, JL</p>		

Section 3: Installation Instructions

Step 1: Steering Stabilizer Axle Mount Installation

- A. Using a 18mm socket remove the stock steering stabilizer
- B. Using a 21mm wrench and socket remove the track bar bolt at the axle.
- C. Install the steering stabilizer axle mount hand tight using the provided 22mm bolt or factory bolt; Mark the second hole and remove the bracket from the axle.
- D. Center punch the second hole and drill with a 3/8" drill bit.
- E. Reinstall the bracket with the provided 22mm bolt on the 9/16" bolt and nut.
- F. Fully tighten all hardware.



Section 3: Installation Instructions

Step 2: Install Steering Stabilizer

- G. Using the provided hardware install the steering stabilizer into the Steering Stabilizer Axle Mount.
- H. Tighten all the stabilizer hardware using a 3/4" socket and wrench.
- I. Make Sure ALL hardware is fully tightened.

Note: *Once fully installed make sure your steering can turn lock to lock.*

