



## PRODUCT: JL/JT Tie Rod Steering Stabilizer Mount

REV: A | 08-10-2020 | II-7686

**READ INSTRUCTIONS IN FULL BEFORE INSTALLATION.  
QUESTIONS? CALL 916-631-8071 M-F 7:00 AM – 5:00 PM PST**

The MetalCloak experience includes the ease of installation of our products. We design for most contingencies, but installation may be different based on different Jeep condition, configuration and/or year.

We are continually trying to improve our products and instructions – please help us by providing feedback and pictures if you find any part of the instructions that do not match your particular Jeep or are not easily understandable.

If you have any difficulties at all, please give us a call. Thank you and enjoy your MetalCloak Products!

**IMPORTANT NOTE: We use Stainless Steel Hardware where possible. Therefore, a tube of Silver Anti-seize is provided and should be used on all bolts—only a small amount is needed.**

**WARRANTY INFORMATION:** This article is sold without warranty expressed or implied. No warranty or representation is made as to this products ability to protect the user from injury or death. The user assumes that risk. The effectiveness, warranty and longevity of this equipment are directly related to the manner in which it is INSTALLED, USED and/or MAINTAINED. THE USER ASSUMES ALL RISK. By purchasing this product and opening the packaging, purchasers expressly acknowledge, understand and agree that they take, select and purchase these MetalCloak products from Armored Works, LLC, its affiliates and distributors and agents as is and with all faults. The entire risk as to the quality and performance of these MetalCloak products is with the purchaser. Working on your vehicle can be a dangerous activity. If you are unsure of what you are doing, please leave mechanical or safety critical work to a skilled mechanic. We take no responsibility for the incorrect use and/or installation of MetalCloak products.

## Section 1: Tools & Notes on Installation



**Tools Required:** This list is the recommended tools for ease of installation. Other versions of the same tool can be used. For example, Allen Wrenches instead of Allen Drive Sockets.



Ratchet

7/16" Socket  
19mm Socket



**HOW TO USE THIS GUIDE:** The installation guide contains ALL steps for installation. Please read and follow the instructions in order of each page top to bottom, and left to right.

**Jeep Model:** Instructions may apply to multiple Jeep models, but are labeled separately where appropriate (i.e. TJ vs. LJ).

**Options:** Because of the number of component options we offer, these instructions may contain steps that will not match your particular configuration. You can skip these steps.

**Images:** Pictures are provided and parts are labeled throughout the instructions. Each text box contains guidance based on the pictures next to it. The text will refer to alphabetical labels (A, B, etc.) found in the images.

**Installation Notes:** Terms may be used in the body of the instructions that you may not be familiar with, if you have any questions feel free to contact us at the number below, or email [techhelp@metalcloak.com](mailto:techhelp@metalcloak.com)

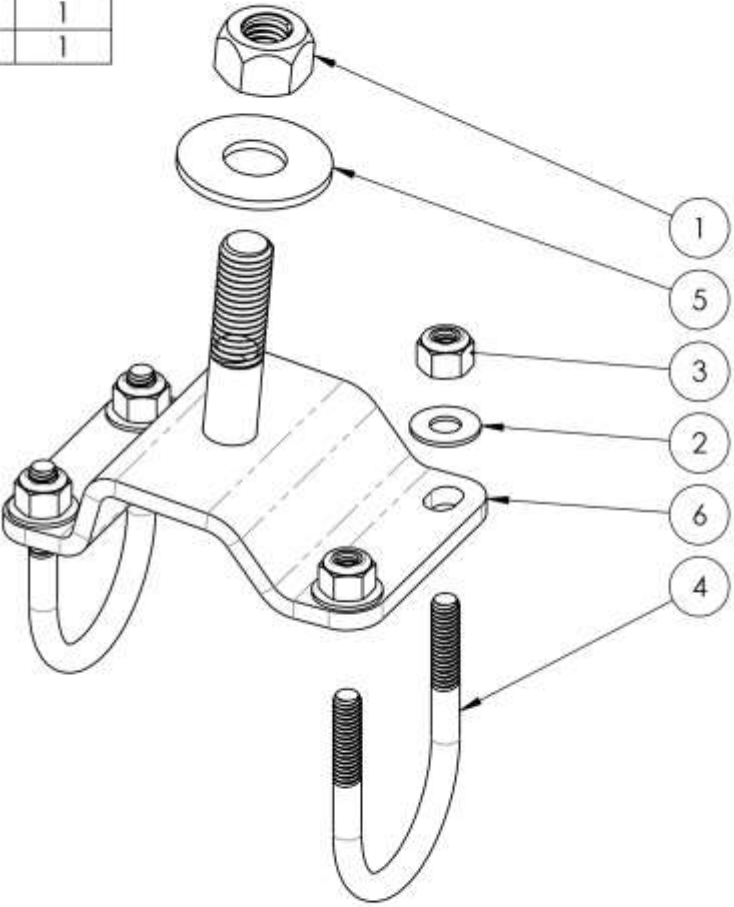
**QUESTIONS:** Any questions or comments about the instructions? Call us at 916-631-8071 M-F 7:00 AM – 5:00 PM PST.

## Section 2: Product Components

DC-0001 REV A

SHEET 1 OF 1

ITEM	PART NUMBER/DESCRIPTION	QTY.
1	FM-12132 TOPLOCK NUT, M12-1.75 X 12H STL C10 ZINC	1
2	FS-04003 WASHER, 0.28ID X 0.63OD X 0.05TH SS 18-8	4
3	FS-04005 NYLOCK NUT, 0.25-20 X 0.31H STL GF ZINC	4
4	FS-04186 U-BOLT, 0.25-20 X D1.60 X 2.1L STL B7 ZINC	2
5	FS-09032 WASHER, 0.56ID X 1.38OD 0.11TH STL ZINC	1
6	WM-5062 WELDMENT, STEERING STABILIZER-TIE ROD MOUNT	1

THE INFORMATION CONTAINED ON THIS DRAWING IS THE EXCLUSIVE PROPERTY OF ARMORED WORKS, LLC. UNAUTHORIZED REPRODUCTION IS PROHIBITED.  
**DO NOT SCALE DRAWING**

**MetalCloak**  
 A DIVISION OF ARMORED WORKS, LLC

**PART NUMBER/DESCRIPTION**  
 7686 STEERING STABILIZER 1.63IN TIE ROD MOUNT

## Section 3: Installation Instructions

### Step 1: Install the Steering Stabilizer Tie Rod Mount

- A. Turn the steering wheel all the way driver and fully extend the steering stabilizer.
- B. Move the tie rod bracket to the new location and install the stabilizer hand tight.
- C. Using a 7/16" socket tighten the tie rod mount U-bolts to the tie rod.
- D. Using a 19mm socket tighten both ends of the steering stabilizer.

**Note:** MetalCloak's recommends after installation that you check your steering by turning the wheel "from lock to lock" by turning the wheel all the way to the right and then all the way to the left; make sure there is not any interference that may limit the turning radius of the Jeep.

