



PRODUCT: **Bronco Rear Durotrak Track Bar**

REV: A | 11-15-2022 | II-B0300

READ INSTRUCTIONS IN FULL BEFORE INSTALLATION.

QUESTIONS? CALL 916-631-8071 M-F 7:00 AM – 5:00 PM PST

The MetalCloak experience includes the ease of installation of our products. We design for most contingencies, but installation may be different based on different Bronco condition, configuration and/or year.

We are continually trying to improve our products and instructions – please help us by providing feedback and pictures if you find any part of the instructions that do not match your Bronco or are not easily understandable.

If you have any difficulties at all, please give us a call. Thank you and enjoy your MetalCloak Products!

IMPORTANT NOTE: We use Stainless Steel Hardware where possible. Therefore, a tube of Silver Anti-seize is provided and should be used on all bolts—only a small amount is needed.

WARRANTY INFORMATION: This article is sold without warranty expressed or implied. No warranty or representation is made as to this products ability to protect the user from injury or death. The user assumes that risk. The effectiveness, warranty and longevity of this equipment are directly related to the manner in which it is INSTALLED, USED and/or MAINTAINED. THE USER ASSUMES ALL RISK. By purchasing this product and opening the packaging, purchasers expressly acknowledge, understand and agree that they take, select and purchase these MetalCloak products from Armored Works, LLC, its affiliates and distributors and agents as is and with all faults. The entire risk as to the quality and performance of these MetalCloak products is with the purchaser. Working on your vehicle can be a dangerous activity. If you are unsure of what you are doing, please leave mechanical or safety critical work to a skilled mechanic. We take no responsibility for the incorrect use and/or installation of MetalCloak products.

Section 1: Tools & Notes on Installation



Tools Required:



Socket & Ratchet Wrench

24MM Socket



HOW TO USE THIS GUIDE: The installation guide contains ALL steps for installation. Please read and follow the instructions in order of each page top to bottom and left to right.

Model: Instructions may apply to multiple Bronco models but are labeled separately where appropriate.

Options: Because of the number of component options we offer, these instructions may contain steps that will not match your particular configuration. You can skip these steps.

Images: Pictures are provided, and parts are labeled throughout the instructions. Each text box contains guidance based on the pictures next to it. The text will refer to alphabetical labels (A, B, etc.) found in the images.

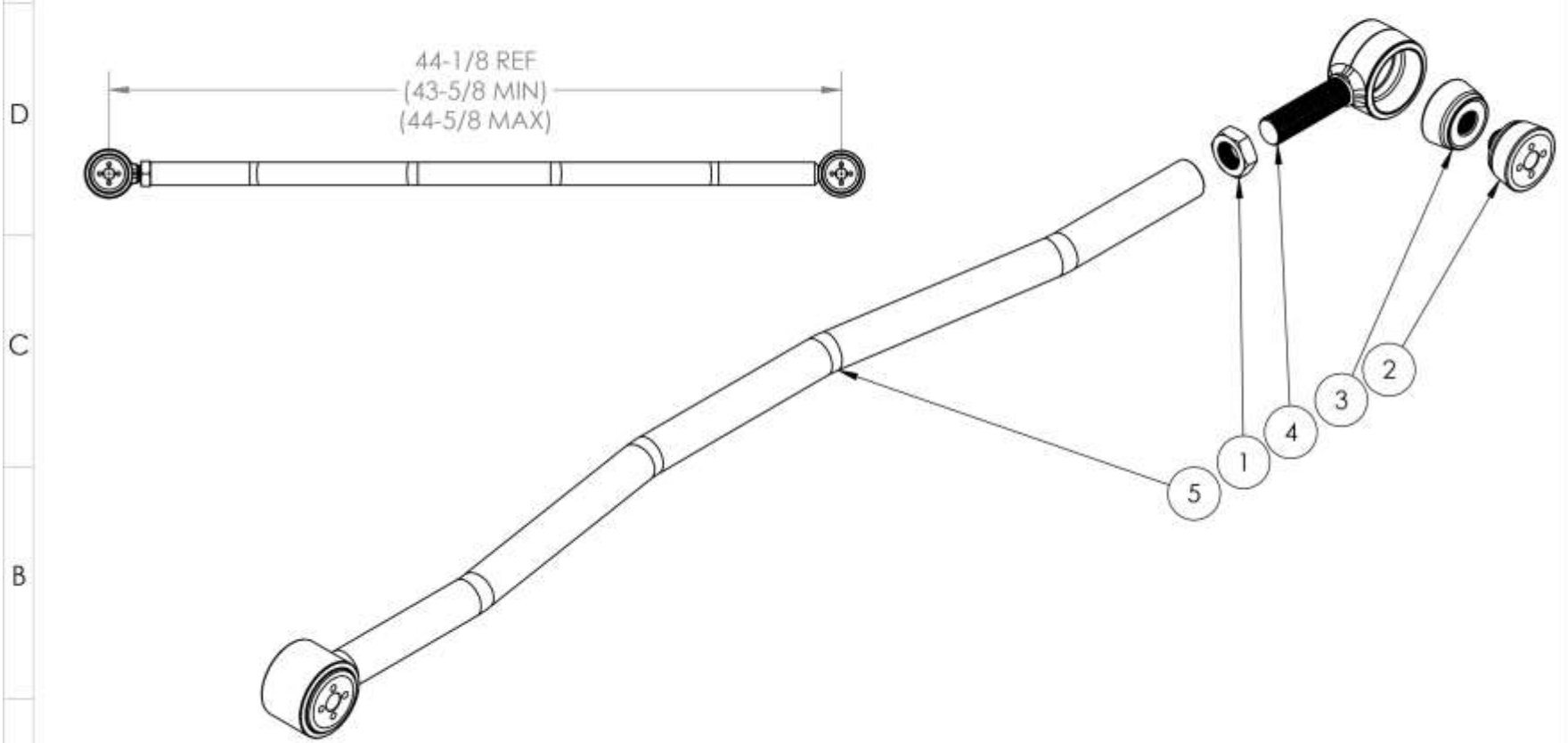
Installation Notes: Terms may be used in the body of the instructions that you may not be familiar with, if you have any questions feel free to contact us at the number below, or email techhelp@metalcloak.com

QUESTIONS: Any questions or comments about the instructions? Call us at 916-631-8071 M-F 7:00 AM – 5:00 PM PST.

Section 2: Product Components

DC-0001 Rev B

| ITEM NO. | PART NUMBER | QTY. |
|----------|---|------|
| 1 | FS-16121 JAM NUT, 1.0-14 X 0.55H STL G5 ZINC | 1 |
| 2 | SS-3073 DUROTRAK BUSHING, MALE .63ID X 2.17W | 2 |
| 3 | SS-3076 DUROTRAK BUSHING, FEMALE .63ID X 2.17W | 2 |
| 4 | SS-3078 FORGED 0.63ID X 2.18W DUROTRAK SPUD, STRAIGHT | 1 |
| 5 | WM-8400 WELDMENT, TRACK BAR, BRONCO REAR | 1 |



THE INFORMATION CONTAINED ON THIS DRAWING IS THE EXCLUSIVE PROPERTY OF ARMORED WORKS, LLC. UNAUTHORIZED REPRODUCTION IS PROHIBITED.

DO NOT SCALE DRAWING

PART NUMBER/DESCRIPTION

MetalCloak
A DIVISION OF ARMORED WORKS, LLC

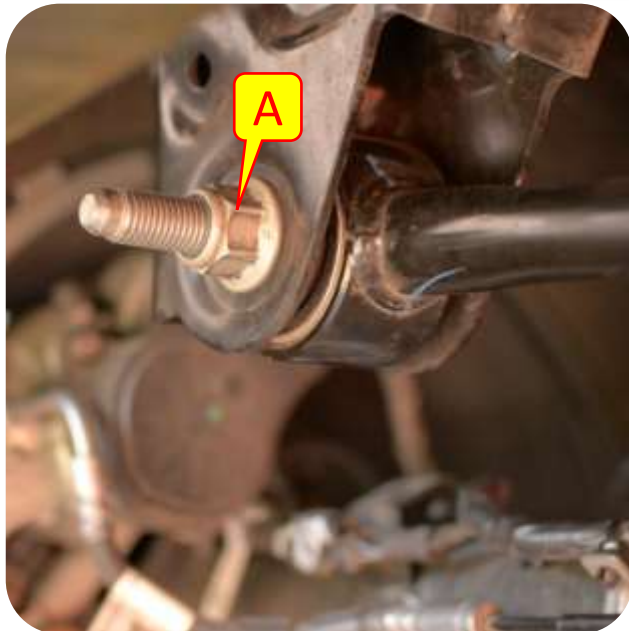
B0300 TRACK BAR, BRONCO REAR

Section 3: Installation Instructions



Step 1: Preparation for Track Bar Installation

- A. Remove the factory track bar with a 24mm deep socket. **SAVE ALL HARDWARE.**
- B. Set length to center rear axle.
- C. Using a 24mm deep socket install the MetalCloak track bar.

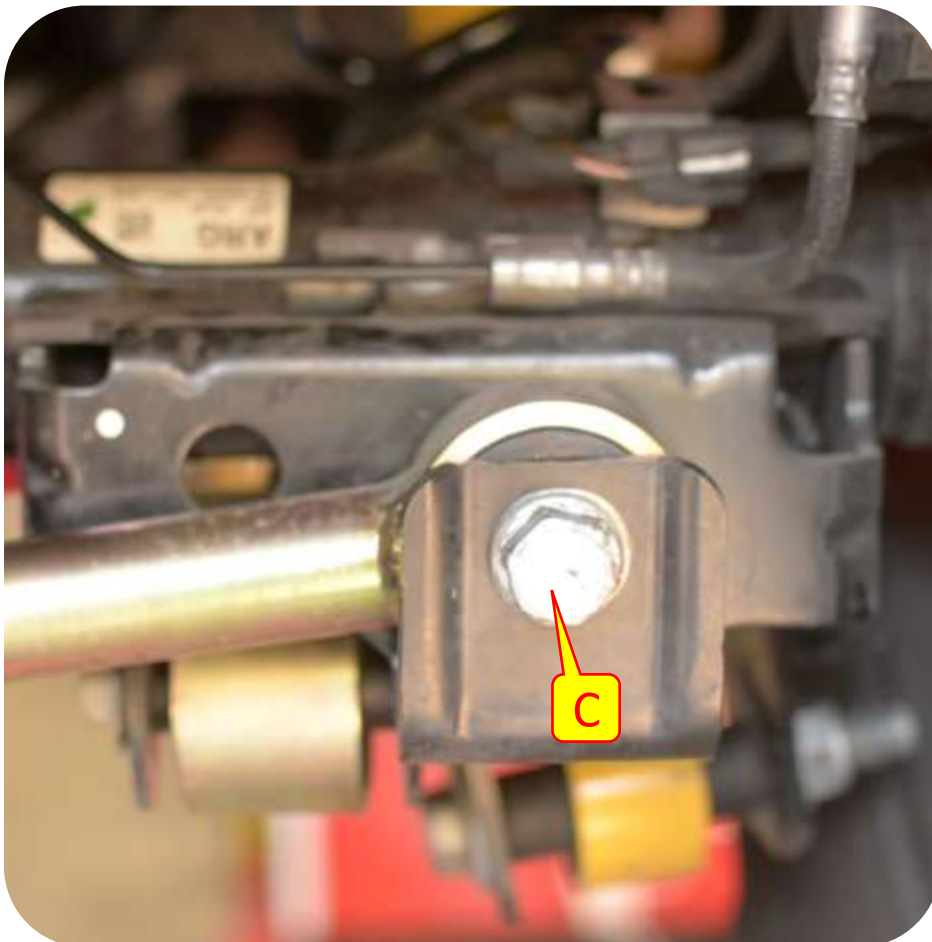


Section 3: Installation Instructions



Step 2: Install Track Bar

C. Using a 24mm deep socket install the MetalCloak track bar.



Section 3: Installation Instructions

Step 2: Install Track Bar

- D. Center the axle under the Bronco.
- E. Tighten the track bar hardware.
- F. Tighten the track bar jam nut using an 18" crescent wrench.

